

Parts manual

Self-Propelled
Articulating Boom Lifts

GTBZ16A



Dingli
Machinery

Table of Contents

Foreword

Frame

		1-1	Axle And Steering Installations	1-1
Section1	Figure	1-2	Drive Valve Assembly	1-4
		1-3	Tire And Front Wheel Drive Installations	1-6
		1-4	Tire And Rear Wheel Drive Installations	1-8
		1-5	Frame Shields Installation	1-10

Turntable

		2-1	Turntable & Chassis Installations	2-1
Section2	Figure	2-2	Swinging Gear Assembly	2-3
		2-3	Engine Installations	2-5
		2-4	Function & Synchronize Valve Installations	2-8
		2-5	Function Valve Assembly	2-10
		2-6	Synchronize Valve Assembly	2-12
		2-7	Hydraulic & Fuel Oil Tank & Counterweight & Electric Control Box Installations	2-14
		2-8	Hydraulic Oil Tank Assembly	2-16
		2-9	Fuel Oil Tank Assembly	2-18
		2-10	The Ground Console Panel	2-20
		2-11	Side Plate Installations	2-22
		2-12	Crank Arm Bracket Installations	2-24
		2-13	Shield Installations	2-26

Boom

		3-1	Crank Arm 1&2 Installations	3-1
Section3	Figure	3-2	Crank Arm 3&Extend Arm Installations 1	3-3
		3-3	Crank Arm 3&Extend Arm Installations 2	3-6
		3-4	Extend Arm 、 Forearm&Cage Braket Installations	3-8
		3-5	Balance Valve Assembly	3-11

Section4

Platform

	Figure	4-1	Platform Installations	4-1
--	--------	-----	------------------------	---------------------

		4-2	Platform Console Panel	4-4
			Cylinder	
		5-1	Lower Variance Range Cylinder Assembly	5-1
		5-2	Middle Variance Range Cylinder Assembly	5-3
		5-3	Upper Variance Range Cylinder Assembly	5-5
Section5		5-4	Telescopic Cylinder Assembly	5-7
	Figure	5-5	Upper leveling cylinder Assembly	5-9
		5-6	Axle Lockout Cylinder Assembly	5-11
		5-7	Steering Cylinder Assembly	5-13
		5-8	Forearm Cylinder Assembly	5-15
			Hydraulic	
Section6		6-1	Drive oil Circuit	6-1
	Figure	6-2	Function oil Circuit	6-2
			Electrical	
Section7		7-1		7-1
	Figure			
			Decals	
Section8		8-1	Decal Location	8-1
	Figure			

Foreword

We are very appreciated for your interesting with Dingli machine and choosing it for your application. Our priority above all is you can use the machine safely for your application and you can benefit from the Dingli machine mostly. For these reason we hope you can:

1. Comply with employer, job site and local governmental rules.
2. The manual provides very important information about the machine. It is essential to the owner or the operator who use the machine. So we strongly recommend that you should read the manual thoroughly before attempting to do anything with the machine, so as to understand and follow the instruction or other information in the manual, especially the safety information.
3. Dingli cannot anticipate every possible circumstance that might involve a potential hazard. The warnings in this publication and on the product are, therefore, not all inclusive. If a tool, procedure, work method or operating technique that is not specifically recommended by Dingli is used, you must satisfy yourself that it is safe for you and for others. You should also ensure that the product will not be damaged or be made unsafe by the operation, lubrication, maintenance or repair procedure that you choose.
4. The information, specifications, and illustrations in this publication are on the basis of information that was available at the time that the publication was written. Due to the continuous improvements, Dingli reserve the rights to make the specifications changes without prior notification. Please contact with Dingli dealers or Dingli distributors to obtain the complete and most current information.
5. Any one who read the manual or used the machine, is encouraged to notify Dingli Machinery Co, Ltd of any errors or send in suggestions for improvement. All communications will be carefully considered for future printings of this and other manuals, certainly if you have any question about the machine, please contact with our team by dialing technical support phone, sending email, or any methods you want, etc. Our contact information as bellow:

If you are in China Mainland, Please contact with:

Zhejiang Dingli Machinery Co.,Ltd Domestic Office:

Phone: 0086-572-8681685
Fax: 0086-572-8681687
Email: sale@chinadinli.com

If you are out of the China Mainland, Please contact with :

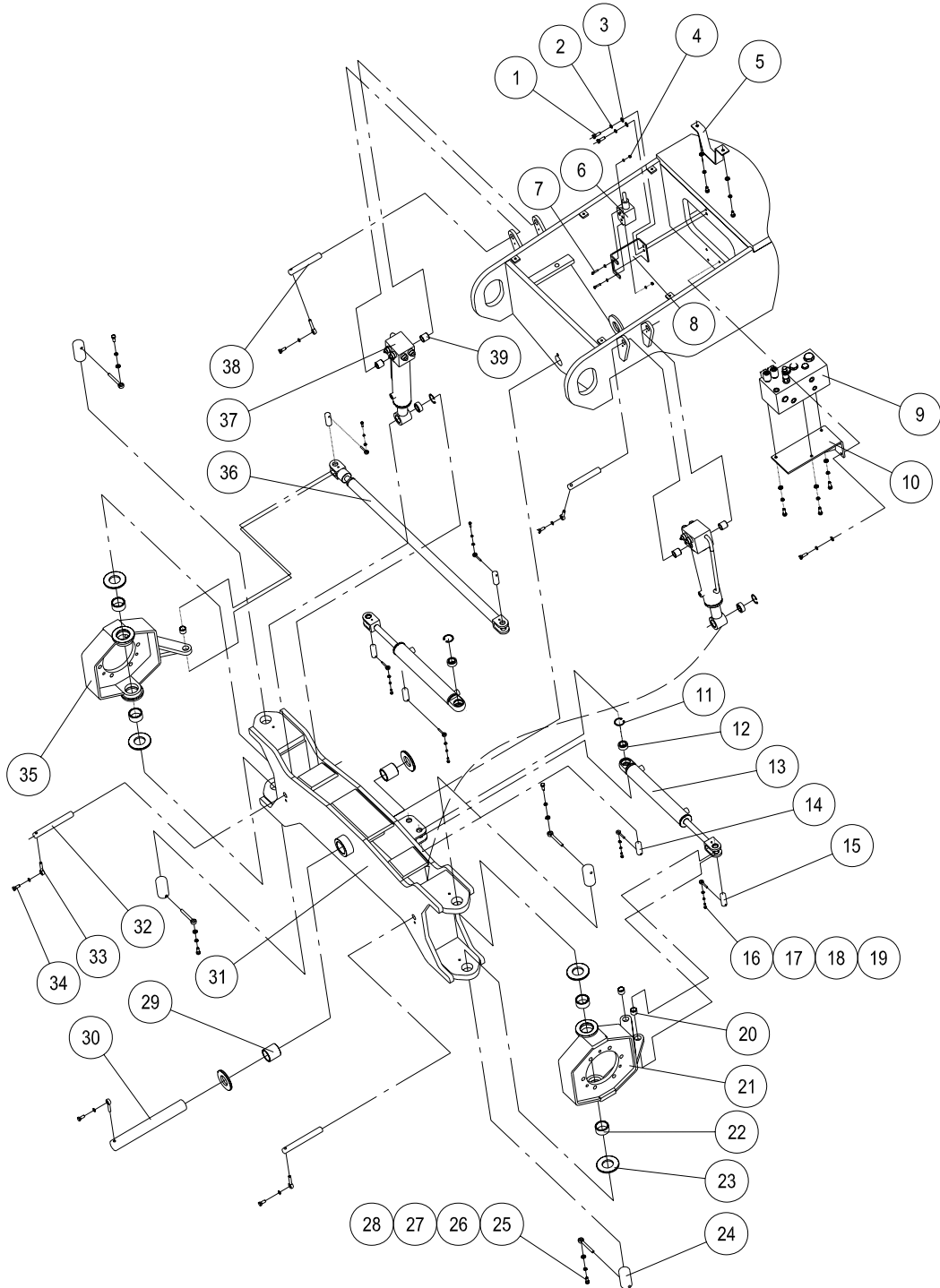
Zhejiang Dingli Machinery Co.,Ltd International Office

Phone: 0086-572-8681688
Fax: 0086-572-8681690
Email: export@chinadinli.com

Frame

Section 1

Figure 1-1 Axle And Steering Installations



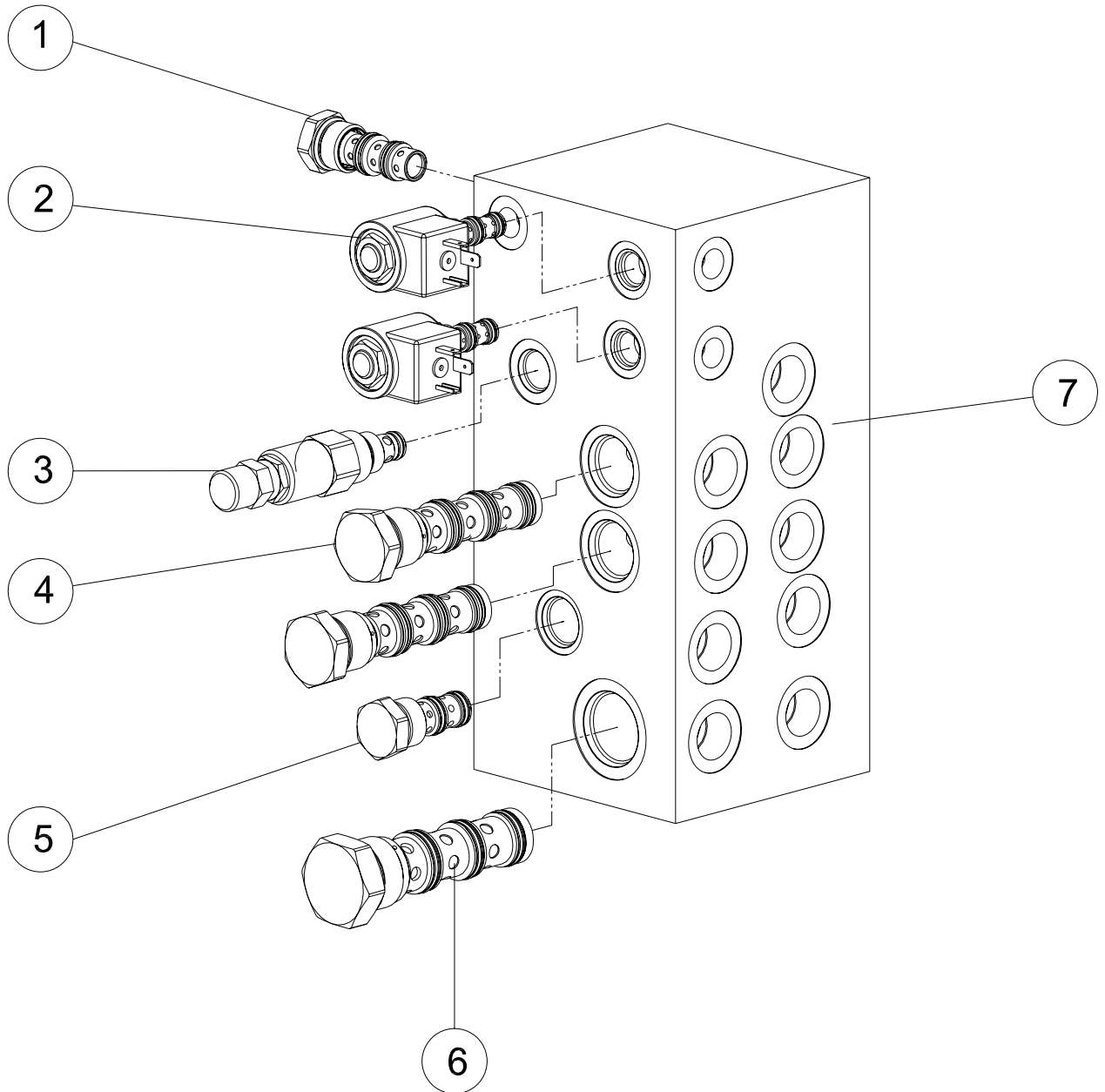
Section1 Frame

Figure 1-1 Axle And Steering Installations

No.	Parts No.	Description	Qty.	Remark
1	GB/T5783-2000	Bolt M10×25	11	
2	GB/T93.1-2000	Circlip 10	11	
3	GB/T97.1-2000	Flat Washer 10	15	
4	GB/T6182-2000	Nut M10	2	
5	GTBZ16A-19009	Touch Bracket	1	
6	3WMR6A50B	Lockout Valve	1	Outsourcing
7	GB70.1-2000	Hexagon Socket Screw M10×25	2	
8	GTBZ16A-11004	Limit Switch Bracket	1	
9	DPH-1104A-08	Drive Valve	1	Outsourcing
10	GTBZ16A-11005	Drive Valve Bracket	1	
11	GB893.1-86	Snap Ring D42	2	
12	GB304.5-81	Bearing GE25ES	2	Outsourcing
13	GTBZ16A-53800	Steering Cylinder	2	Outsourcing
14	JCPT1523RT-12004	Cylinder Rear Axle ϕ 25x67	2	
15	JCPT1523RT-12010	Coupling Shaft ϕ 24x62	4	
16	JCPT1523RT-12006	Pin ϕ 6x45	6	
17	GB/T97.1-2000	Flat Washer 6	6	
18	GB/T93.1-2000	Circlip 6	6	
19	GB/T5783-2000	Bolt M6×16	6	
20	CRG-2428-20	Composition Bearing	4	Outsourcing
21	GTBZ16A-15100	KNUCKIE LH	1	
22	CRG-5060-30	Composition Bearing	4	Outsourcing
23	GTBZ16A-15001	Thrust Washer	6	Outsourcing
24	GTBZ16A-12001	Supporting Axle ϕ 50x95	4	
25	JCPT1523RT-12005	Axle ϕ 10x95	5	
26	GB/T97.1-2000	Flat Washer 10	5	
27	GB/T93.1-2000	Circlip 10	9	
28	GB/T5783-2000	Bolt M10×30	5	

Section1 Frame

Figure 1-2 Drive Valve Assembly



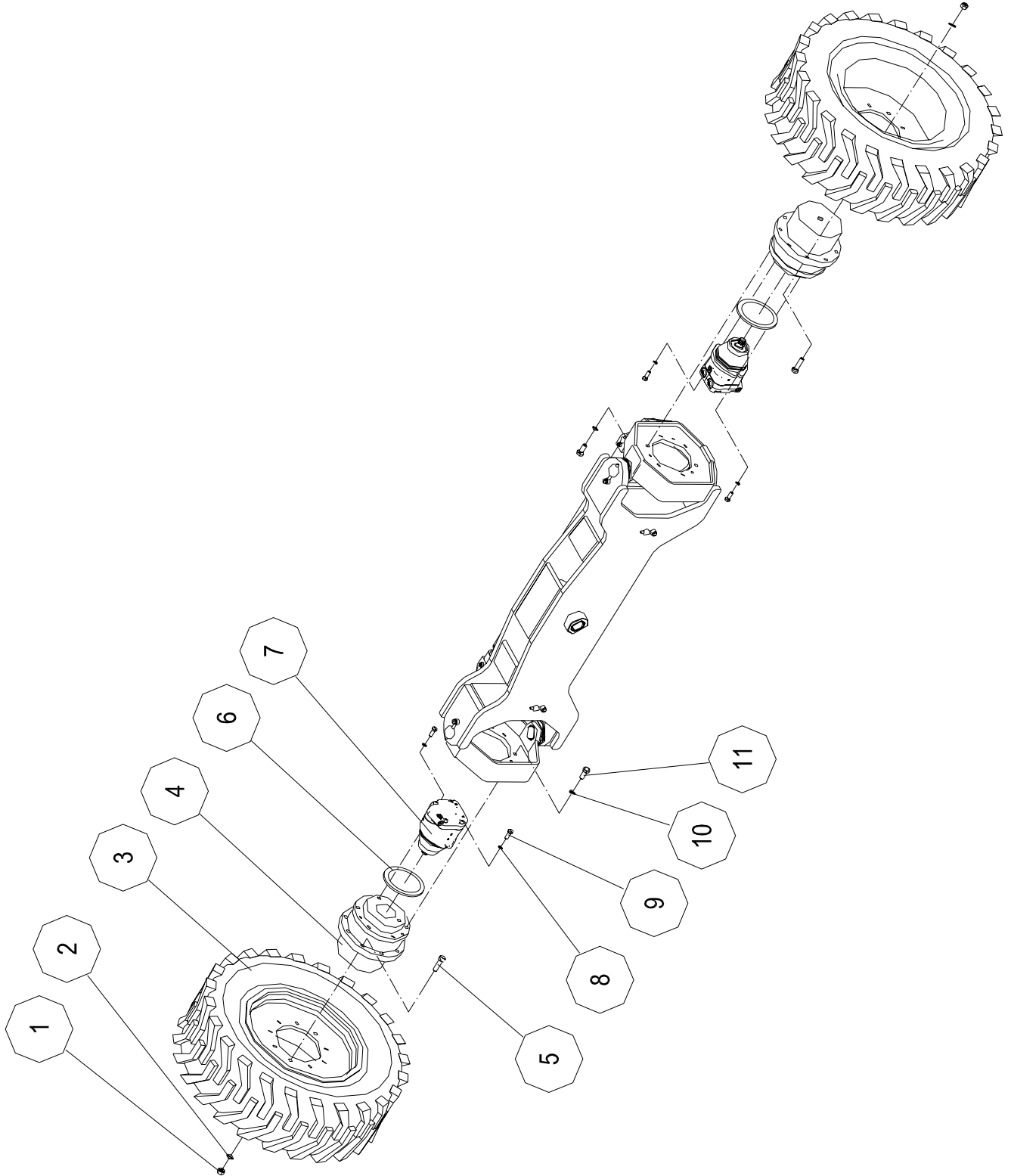
Section1 Frame

Figure 1-2 Drive Valve Assembly

No.	Parts No.	Description	Qty.	Remark
1	HS50-43-O-P	flush valve	1	
2	SV07-34-O-N-12DG	2-position 3-way Solenoid Valve	2	
3	RV08-22C-O-N-7/M20	Overflow Valve	1	
4	FD52-45-O-N-66	Flow Distributing And Collecting Valve	2	
5	LS10-30-O-N	Shuttle Valve	1	
6	FD56-45-O-N-66	Flow Distributing And Collecting Valve	1	
7	DPH-1104A-08	Valve Body	1	

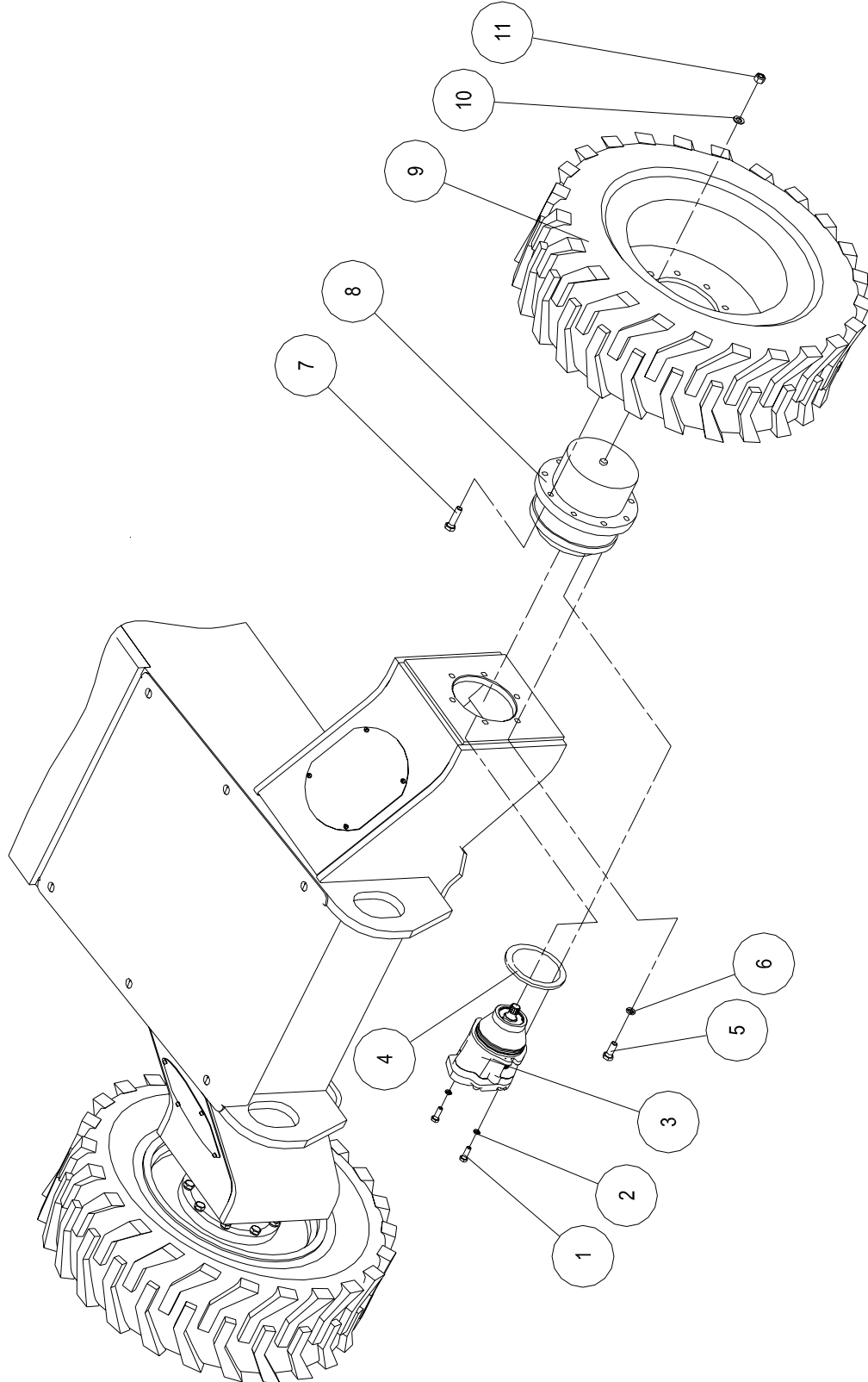
Section1 Frame

Figure 1-3 Tire And Front Wheel Drive Installations



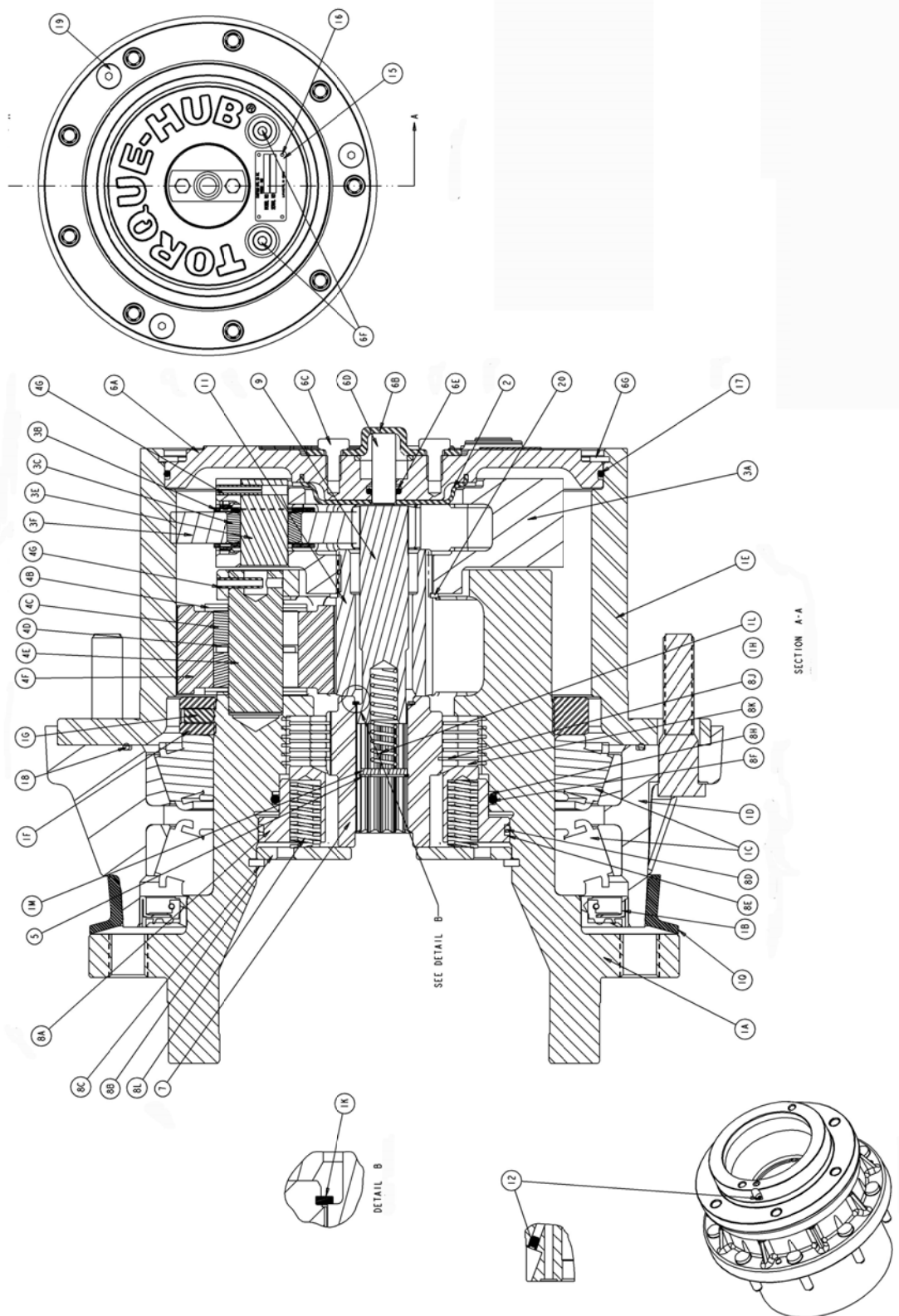
Section1 Frame

Figure 1-4 Tire And Rear Wheel Drive Installations



Section1 Frame

Figure 1-5 Reducer Assembly



Section1 Frame

Figure 1-5 Reducer Assembly

No.	Parts No.	Description	Qty.	Remark
7	AMD2100207B	A/M Input Shaft	1	
8C	9100328	Ret ,Ring-int	1	
8A	AM9024530F	A/M Brake Pisto	3	
1F	980166	Nut,Brg*India*	1	
18	940082	O-Ring(172×8.2)	1	
1G	930310	Screw,Set-socket	2	
4F	AMD2320001	A/M Planet Gear	1	
4E	D2220101	Shaft ,Planet * I	3	
4G	920002	Pin,Roll	3	
6A	AMD2500401A	A/M Cover S-A* I	1	
2	960485	Spacer,Thrust* I	1	
20	9100165	Ret ,Ring-ext	1	
6G	9100297	Ret ,Ring-int	1	
17	940008	O-Ring(166×6)	1	
3A	AMD2210502	A/M Carrier S-A	1	
1E	D2500001	Gear, Ring	1	
1H	97000F	Stud*India	9	
8J	902426W	Brake,Rotor	5	
8K	902427W	Brake,Stator	6	
8H	9400258	O-Ring,Back-up	1	
8F	9400256	O-Ring(237×3)	1	
1D	D2500601	Housing*India*	1	
1C	9008515	(T4CB140)Brg,Ta	2	
8D	9400102	O-Ring(1154×3)	1	
8E	9400248	O-Ring,Back-up	1	
1B	9013266	Seal,Mult	1	
1Q	9013239	Seal,Boot	1	
1A	D2400716	Spindle*India*	1	

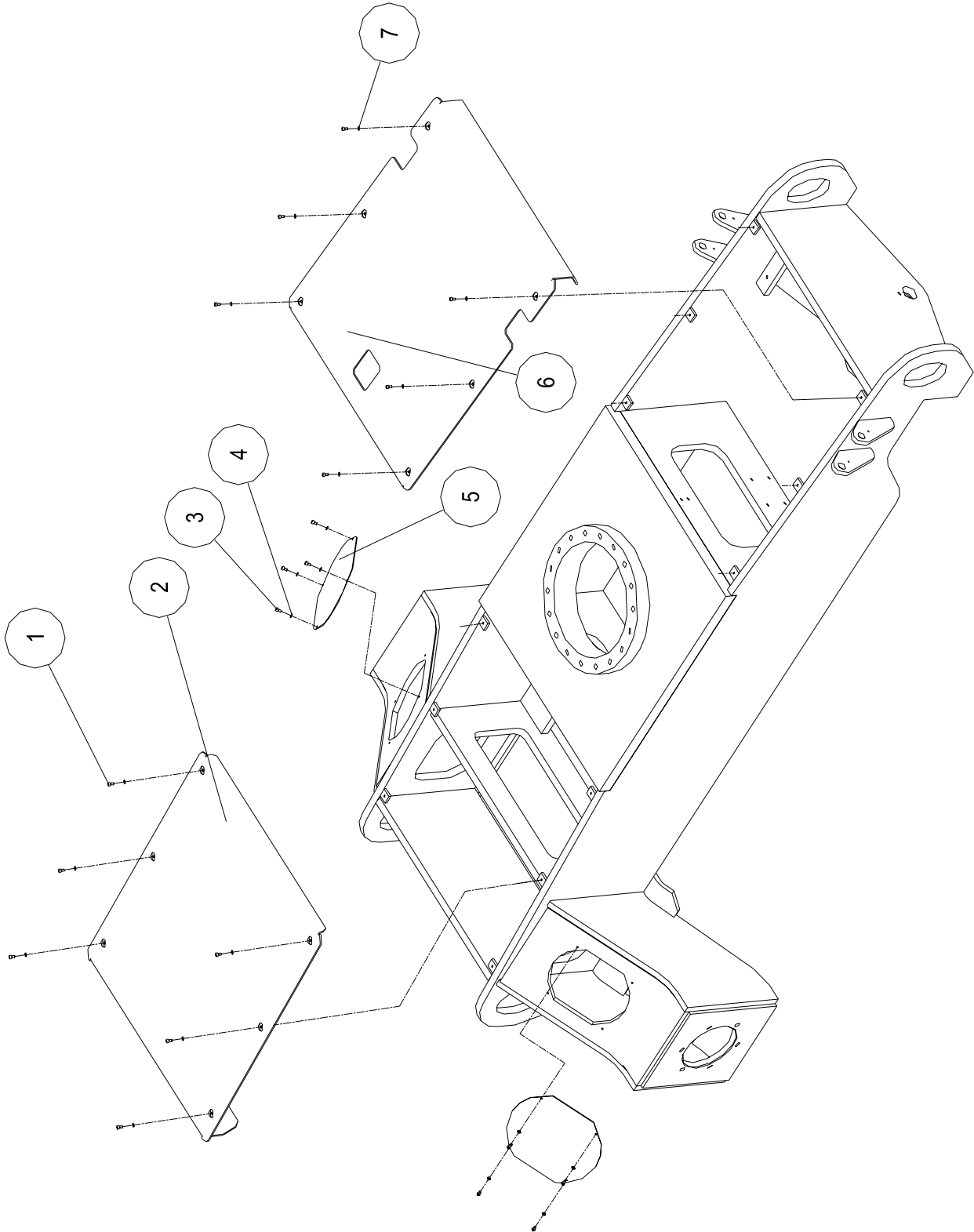
Section1 Frame

Figure 1-5 Reducer Assembly

No.	Parts No.	Description	Qty.	Remark
12	950407	Pressure Plug	1	
15	901202	Plate,ID*India	1	
16	930301	Screw,Drive	4	
19	930904	Bolt,FT,HD-HX	3	

Section1 Frame

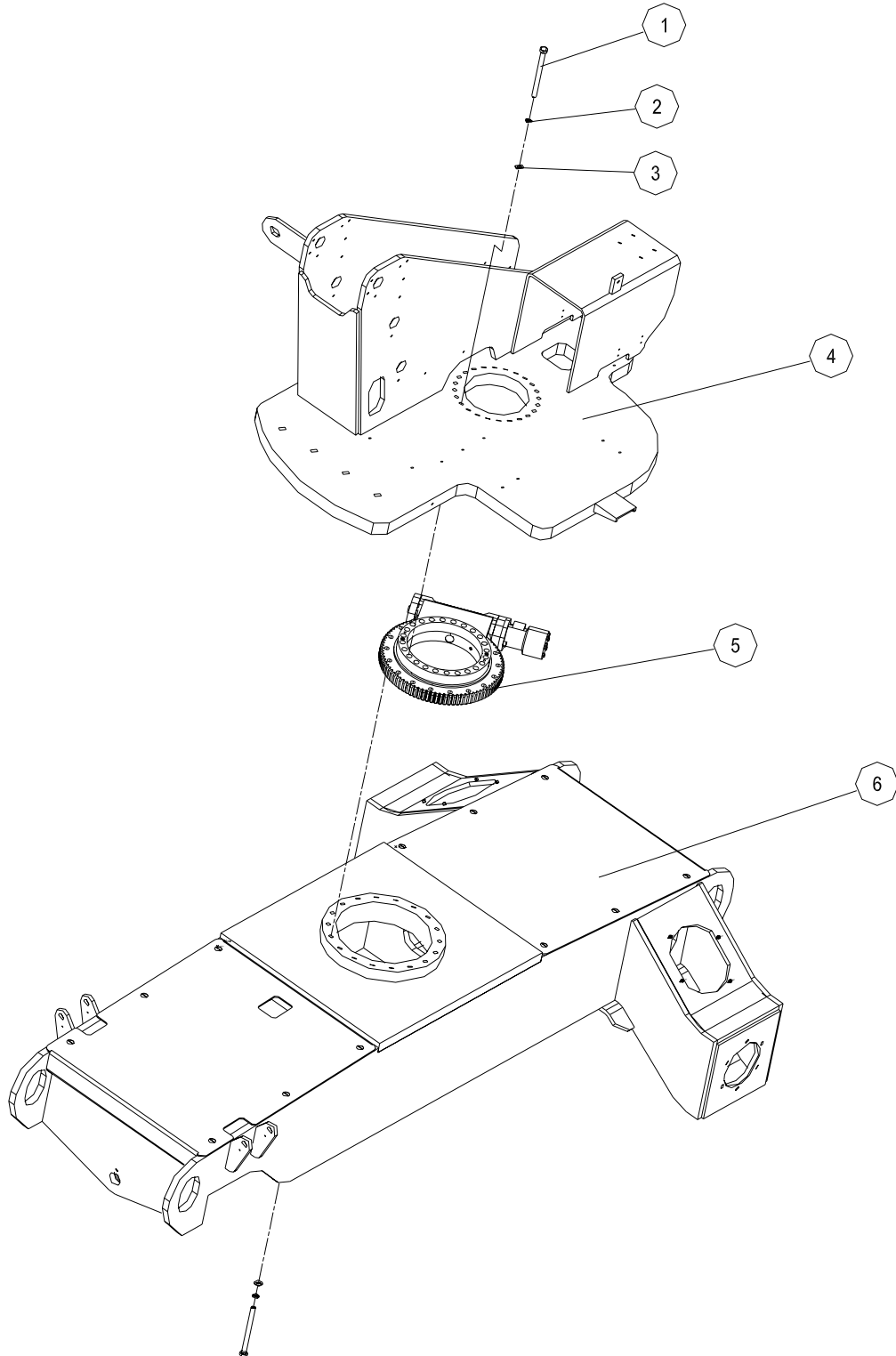
Figure 1-6 Frame Shields Installation



Turntable

Section 2

Figure 2-1 Turntable & Chassis Installations



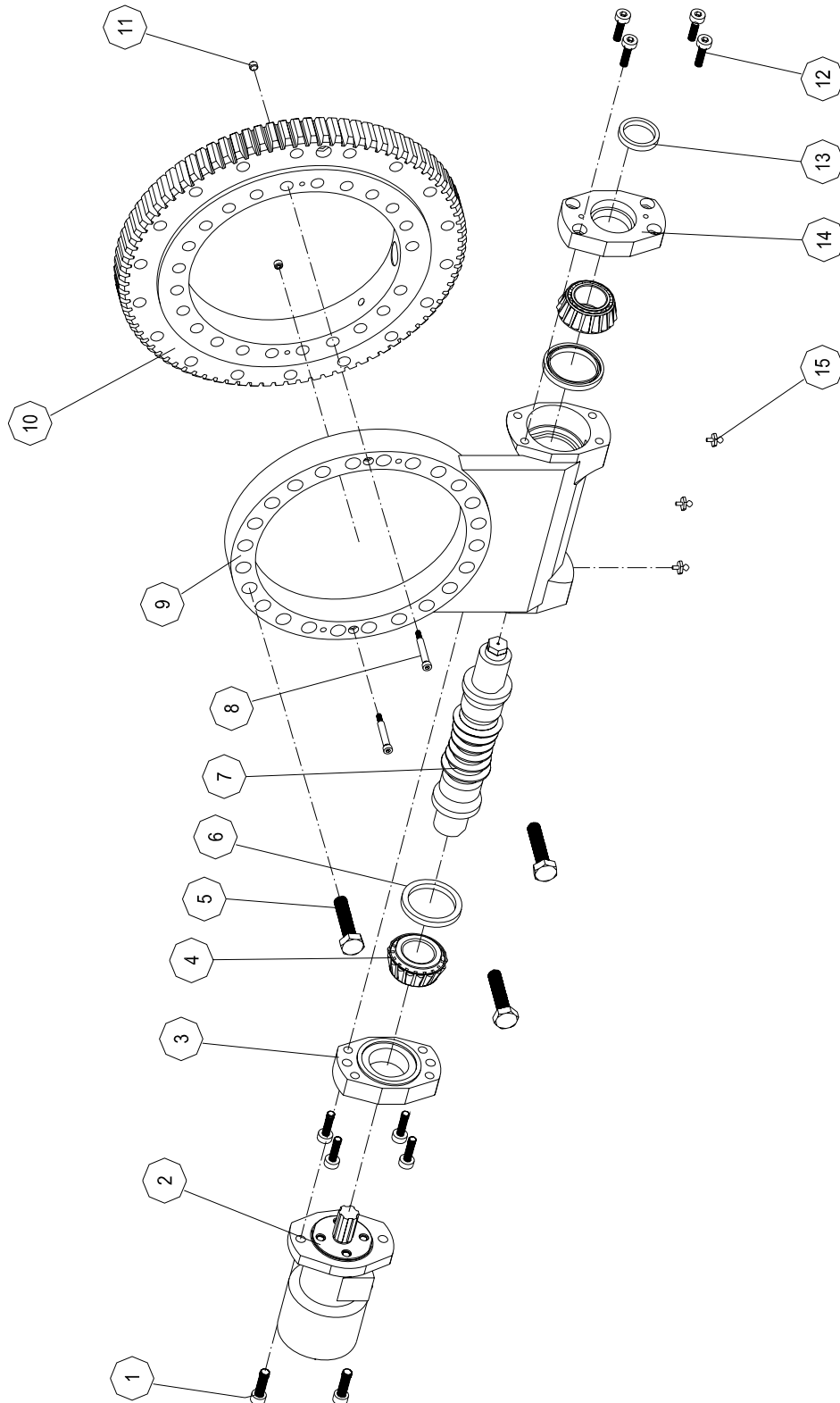
Section2 Turntable

Figure 2-1 Turntable & Chassis Installations

No.	Parts No.	Description	Qty.	Remark
1	GB5780-2000	Bolt M16x130	24	
2	GB93-2000	CirclipW16	42	
3	GB97.1-2000	Flat Washer 16	42	
4	GTBZ16A-19100	Turntable	1	
5	S14B-85M-125RA-REV-A	Swing Gear	1	Outsourcing
6	GTBZ16A-11000	Frame	1	
7	GB5780-2000	Bolt M16x120	18	
8				
9				
10				
11				
12				
13				
14				
15				
16				
17				
18				
19				
20				
21				

Section2 Turtable

Figure 2-2 Swinging Gear Assembly



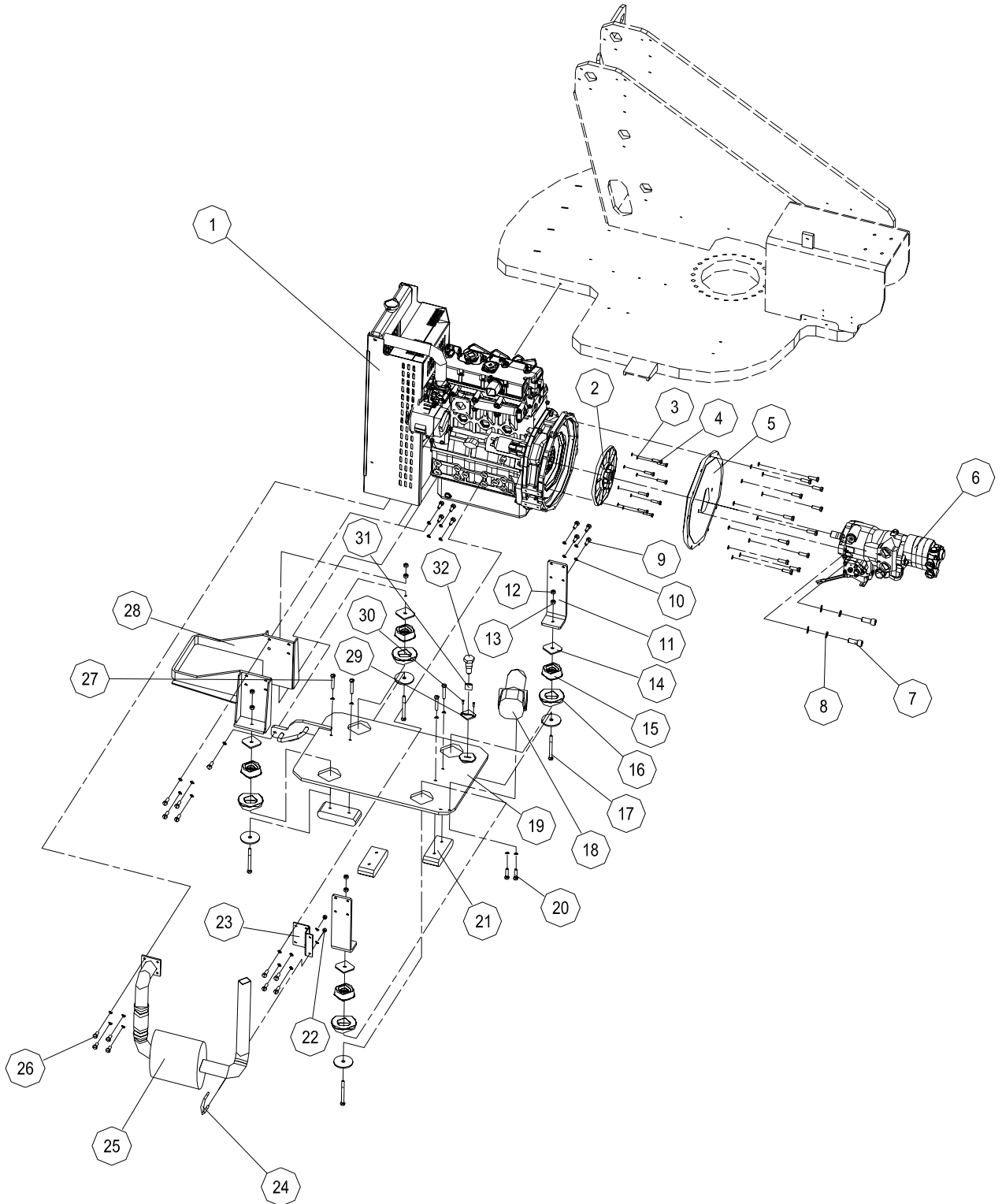
Section2 Turtable

Figure 2-2 Swinging Gear Assembly

No.	Parts No.	Description	Qty.	Remark
1	GB/T70.1-2000	Hexagon Socket Screw M12*40	2	
2	125-A-78-6	Hydraulic Motor	1	
3	C0003-REV.E	End Cover	1	
4	GB/T 297-94	Bearing 33208	2	
5	GB/T5782-2000	Bolt M16*75	3	
6	GB13871-1992	Oil Seal 60*75*8	2	
7	W14B02-REV.K	Worm	1	
8	B020-REV.A	Holding Down Bolt 1/4"-20*55	2	
9	B14B01-REV.S	Seating	1	
10	GM1410-A1-REV.B	Slewing Bearing	1	
11	P040-REV.A	Plug	4	
12	GB/T70.1-2000	Hexagon Socket Screw M10*35	8	
13	GB13871-1992	Oil Seal 40*50*8	1	
14	A0004-REV.F	Motor Adjusting Wedge	1	
15	JB/T 7940.1-1995	Oil Cup 1/8"-27PIPE TAP	3	

Section2 Turntable

Figure 2-3 Engine Installations



Section2 Turtable

Figure 2-3 Engine Installations

No.	Parts No.	Description	Qty.	Remark
1	4O4D-22-38KW	Perkins Engine	1	Outsourcing
2	JCPT1523RT-10809	Flexible Coupling	1	Outsourcing
3	GB93-2000	Circlip W8	22	
4	GB5783-2000	Bolt M8x35	20	
5	JCPT1523RT-10804	Fly Wheel Guard	1	Outsourcing
6	Mpv046C-M46-20818	Hydraulic Pump	1	Outsourcing
7	GB70.1-2000	Hexagon Socket Screw M14x40	2	
8	GB93-2000	Circlip W14	2	
9	GB5783-2000	Bolt M10x30	16	
10	GB93-2000	Circlip W10	22	
11	JCPT1523RT-10806	Engine Tie Strap	2	
12	GB6184-2000	Locknut M10	4	
13	GB6170-2000	Nut M10	4	
14	JCPT1523RT-10861	Upward Acting Plate	8	
15	JCPT1523-10862	Rubber Bumper	4	Outsourcing
16	JCPT1523RT-1018	Adapter Sleeve	4	
17	GB/T5782-2000	Bolt M10x100	4	
18	GLQ-PLF-E60x10P	Filter	1	Outsourcing
19	GTBZ16A-19530	Engine Base Plate	1	
20	GB5783-2000	Bolt M10x40	2	
21	GTBZ16A-19503	Padding Block	3	
22	GB41-2000	Nut M8	2	
23	GTBZ16A-19501	Deafener Fixing Plate	1	
24	GTBZ16A-19502	U Bolt M8	1	
25	GTBZ16A-19520	Deafener	1	Outsourcing
26	GB5783-2000	Bolt M10x25	4	
27	GB5783-2000	Bolt M10x60	4	
28	U10267291	Engine Rear Support	1	

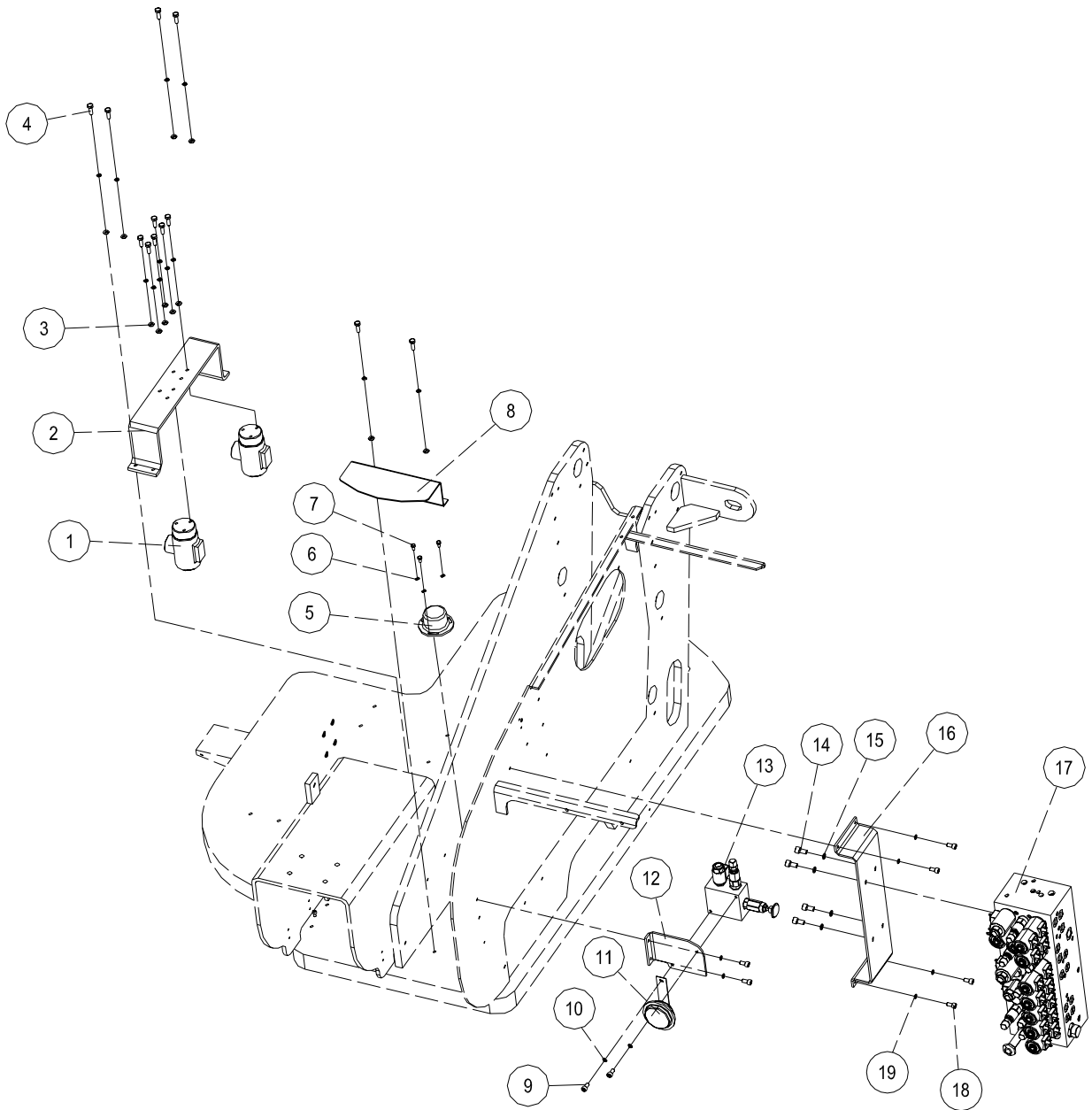
Section2 Turtable

Figure 2-3 Engine Installations

No.	Parts No.	Description	Qty.	Remark
29	GTBZ16A-19543	Thrust Pad	1	Outsourcing
30	GB819-2000	Sunk Screw M5x16	2	
31	GTBZ16A-19542	Composite Bearing	1	Outsourcing
32	GTBZ16A-19541	Axis Of Rotation	1	

Section2 Turntable

Figure 2-4 Function & Synchronize Valve Installations



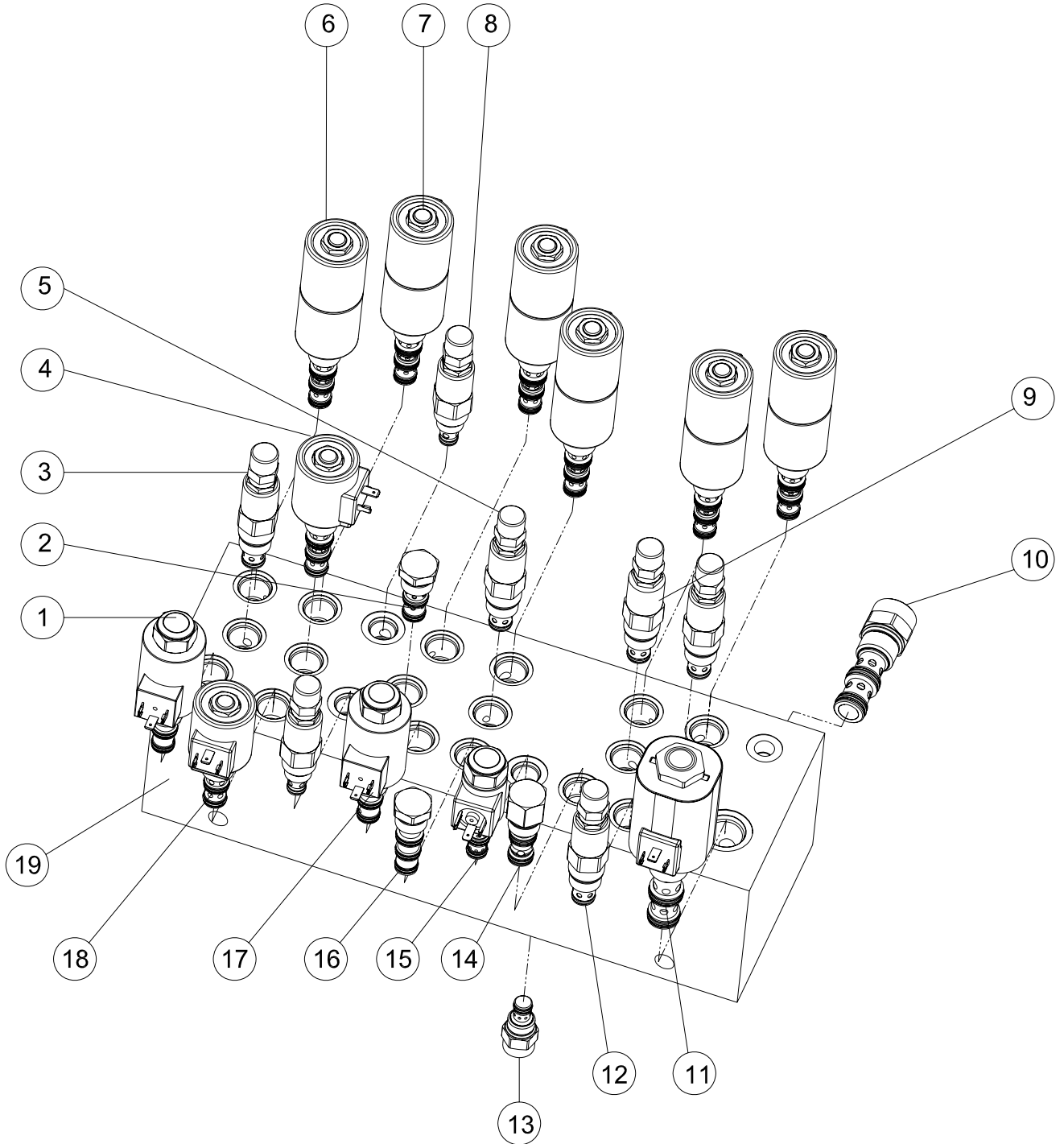
Section2 Turtable

Figure 2-4 Function & Synchronize Valve Installations

No.	Parts No.	Description	Qty.	Remark
1	GTBZ16A-19610	Valve	2	
2	GTBZ16A-19620	Valve Bracket	1	
3	GB97.1-2000	Flat Washer 8	12	
4	GB5783-2000	Bolt M8x25	12	
5	ASA02C10B/26	Gradienter	1	Outsourcing
6	GB97.1-2000	Flat Washer 6	3	
7	GB5783-2000	Bolt M6x20	3	
8	GTBZ16A-19070	Gradienter Protective Shield	1	
9	GB70.1-2000	Hexagon Socket Screw M8x20	4	
10	G93-2000	Circlip W8	16	
11	GTBZ16A-19930	Horn	1	Outsourcing
12	GTBZ16A-19081	Synchronize Valve Bracket	1	
13	DPH-09004B	Synchronize Valve	1	Outsourcing
14	GB70.1-2000	Hexagon Socket Screw M14x25	4	
15	GB93-2000	Circlip W14	4	
16	GTBZ16A-19091	Function Valve Bracket	1	
17	DPH-09004A-08CP	Function Valve	1	Outsourcing
18	GB5783-2000	Bolt M10x25	4	
19	GB93-2000	Circlip	4	

Section2 Turntable

Figure 2-5 Function Valve Assembly



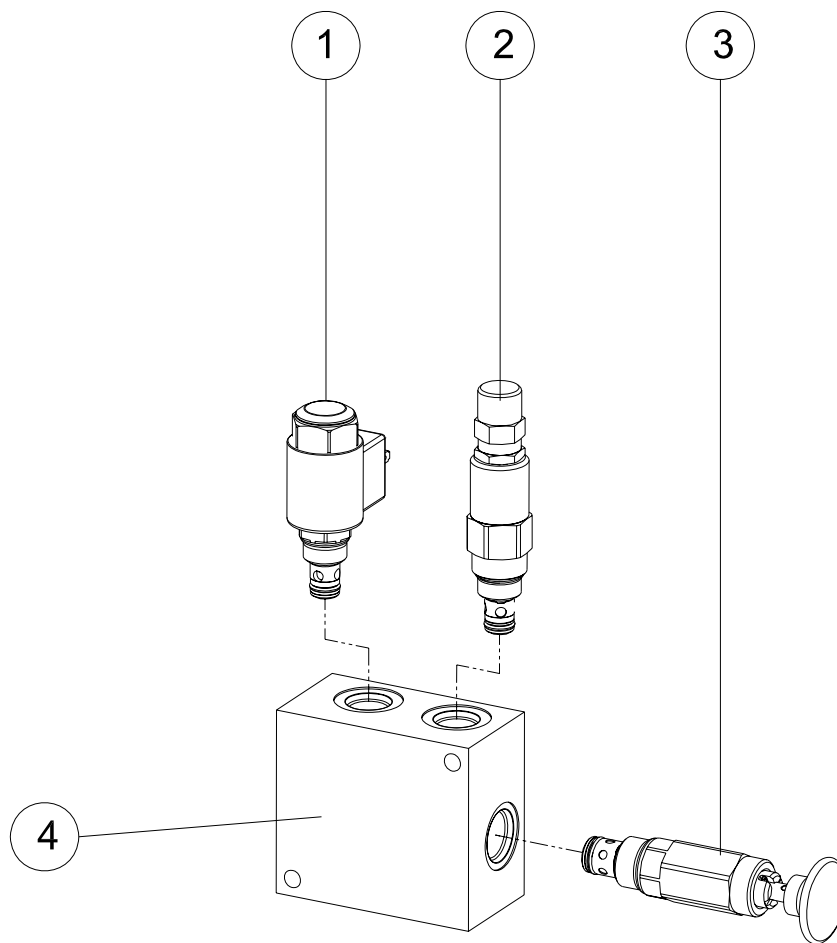
Section2 Turntable

Figure 2-5 Function Valve Assembly

No.	Parts No.	Description	Qty.	Remark
1	PV70-30B-0-N-12DG	3-Way Proportional Valve	1	
2	PC10-30-0-N-30	Pilot Operated Check Valve	1	
3	CR10-28C-0-N-24/M125	Two-Way Overflow Valve	1	
4	SV10-40-0-N-12DG	2-position 4-way Solenoid Valve	1	
5	CR10-28C-0-N-24/M140	Two-Way Overflow Valve	2	
6	SV10-47C-0-N-12DG	3-position 4-way Solenoid Valve	2	
7	SV10-47D-0-N-12DG	3-position 4-way Solenoid Valve	4	
8	RV08-22C-0-N-26/M175	Overflow Valve	2	
9	CR10-28C-0-N-24/M105	Two-Way Overflow Valve	1	
10	FR12-30F-0-N-M25	3-way Flow Valve	1	
11	SV12-34-0-N-12EG	2-position 3-way Solenoid Valve	1	
12	RV10-22C-0-N-35/M210	Overflow Valve	1	
13	FR08-20F-0-N-0.1	Throttle Valve	1	
14	EP10-S35T-0-N-230	Logic Valve	1	
15	PV08-30A-0-N-12DG	3-Way Proportional Valve	1	
16	LS10-40-0-N	Check Valves	1	
17	PV70-30B-0-N-12DG	3-Way Proportional Valve	1	
18	SV38-38-0-N-12DG	2-position 3-way Solenoid Valve	1	
19	DPH-09004A-08CP	Valve Body	1	

Section2 Turntable

Figure 2-6 Synchronize Valve Assembly



Section2 Turtable

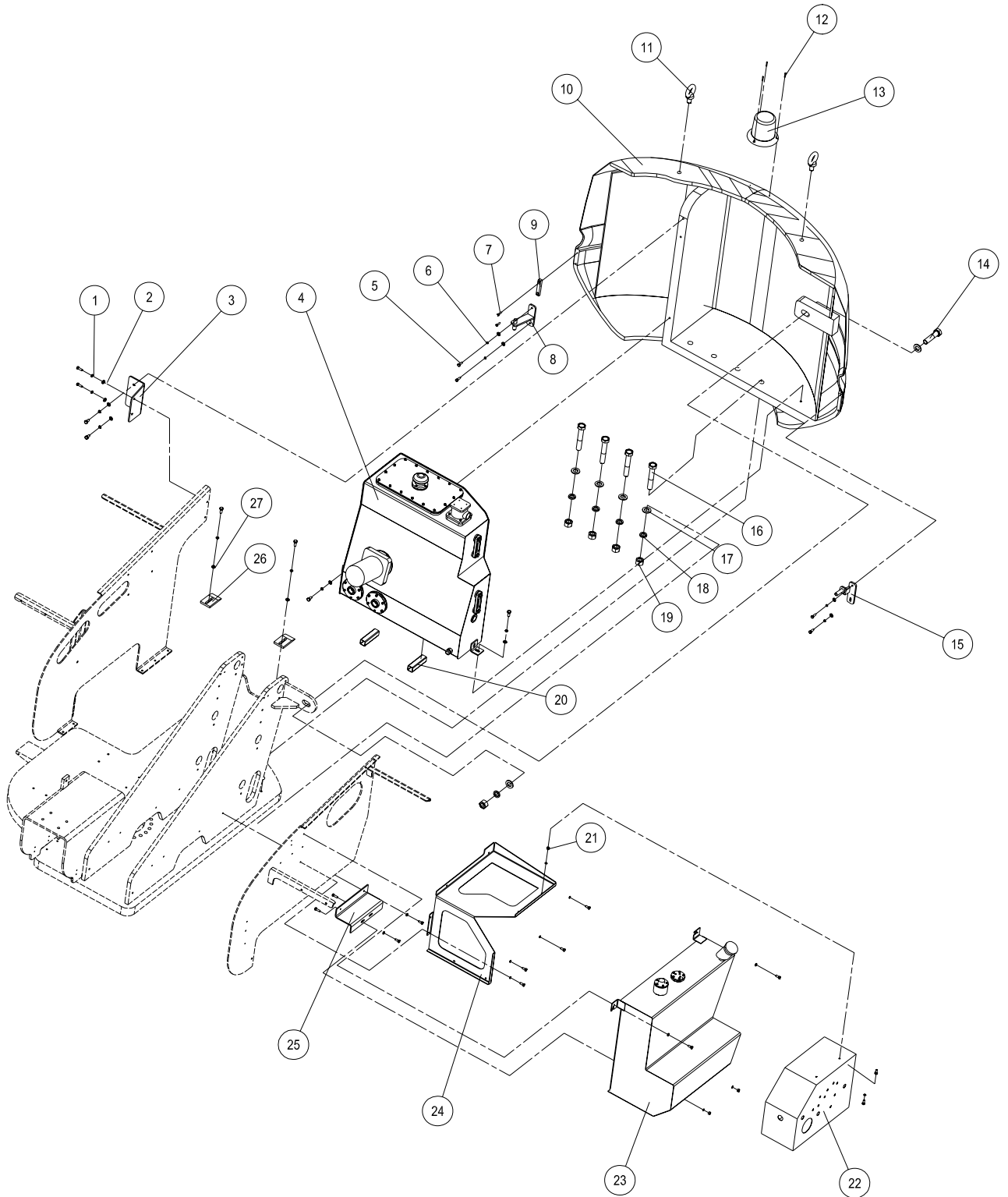
Figure 2-6 Synchronize Valve Assembly

Synchronize Valve Assembly List

No.	Parts No.	Description	Qty.	Remark
1	SV08-21-0-N-12DG	2-position 2-way Solenoid Valve	1	
2	RV08-22C-0-N-26/	Overflow Valve	1	
3	MP10-22L-0-N	Hand-operated Valves	1	
4	DPH-09004B-08	Valve Body	1	

Section2 Turntable

Figure 2-7 Hydraulic & Fuel Oil Tank & Counterweight & Electric Control Box Installations



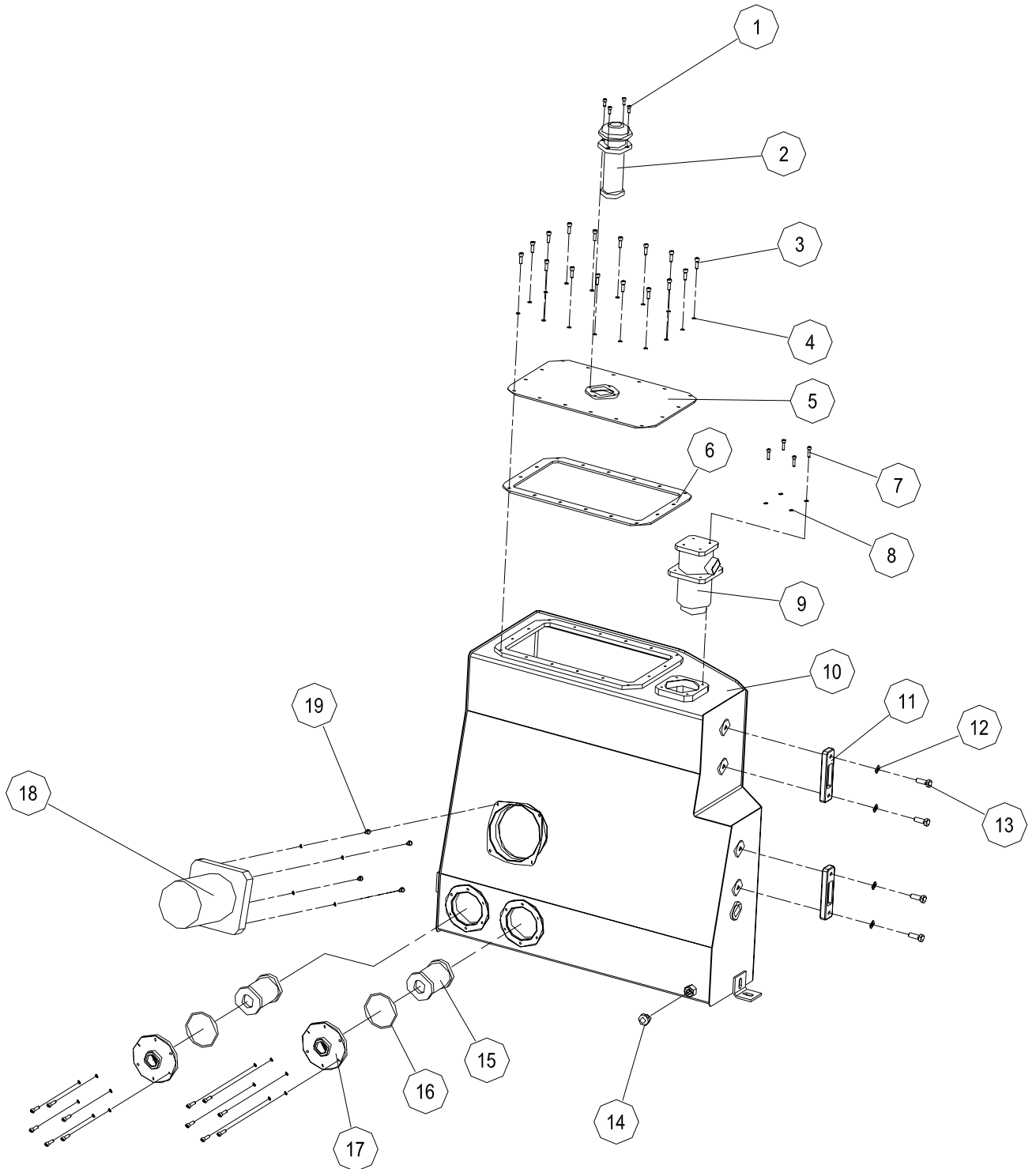
Section2 Turntable

Figure 2-7 Hydraulic & Fuel Oil Tank & Counterweight & Electric Control Box Installations

No.	Parts No.	Description	Qty.	Remark
1	GB5783-2000	Bolt M10x25	8	
2	GB93-2000	Circlip W10	8	
3	GTBZ16A-19004	Connecting Plate	1	
4	GTBZ16A-19400	Hydraulic Oil Tank	1	
5	GB5783-2000	Bolt M8x25	16	
6	GB93-2000	Circlip W8	16	
7	GB819-2000	Bolt M6x25	2	
8	GTBZ16A-19030	Shield Lock Stop 1	1	
9	GTBZ16A-19008	Padding Block	1	
10	GTBZ16A-19001	Counterweight	1	Outsourcing
11	GB825-2000	Eyebolt	2	
12	GB818-2000	Bolt M4x25	8	
13	GTBZ16A-19007	Alarm Lamp	1	Outsourcing
14	GB5780-2000	Bolt M24x100	1	
15	GTBZ16A-19040	Shield Lock Stp 2	1	
16	GB5780-2000	Bolt M24x140	4	
17	GB97.1-2000	Flat Washer 24	5	
18	GB93-87	Circlip W24	5	
19	GB41-2000	Nut M24	5	
20	GTBZ16A-19920	Hydraulic Oil Tank Pipe Pad	2	
21	GB41-2000	Nut M8	4	
22	GTBZ16A-19060	Electric Control Box	1	Outsourcing
23	GTBZ16A-19300	Fuel Oil Tank	1	
24	GTBZ16A-19002	Electric Control Box Bracket	1	
25	GTBZ16A-19005	Fuel Oil Tank Supporting Plate	1	
26	GTBZ16A-19910	Counterweight Adjustable Pad	2	
27	GB97.1-2000	Flat Washer D10	8	

Section2 Turtable

Figure 2-8 Hydraulic Oil Tank Assembly



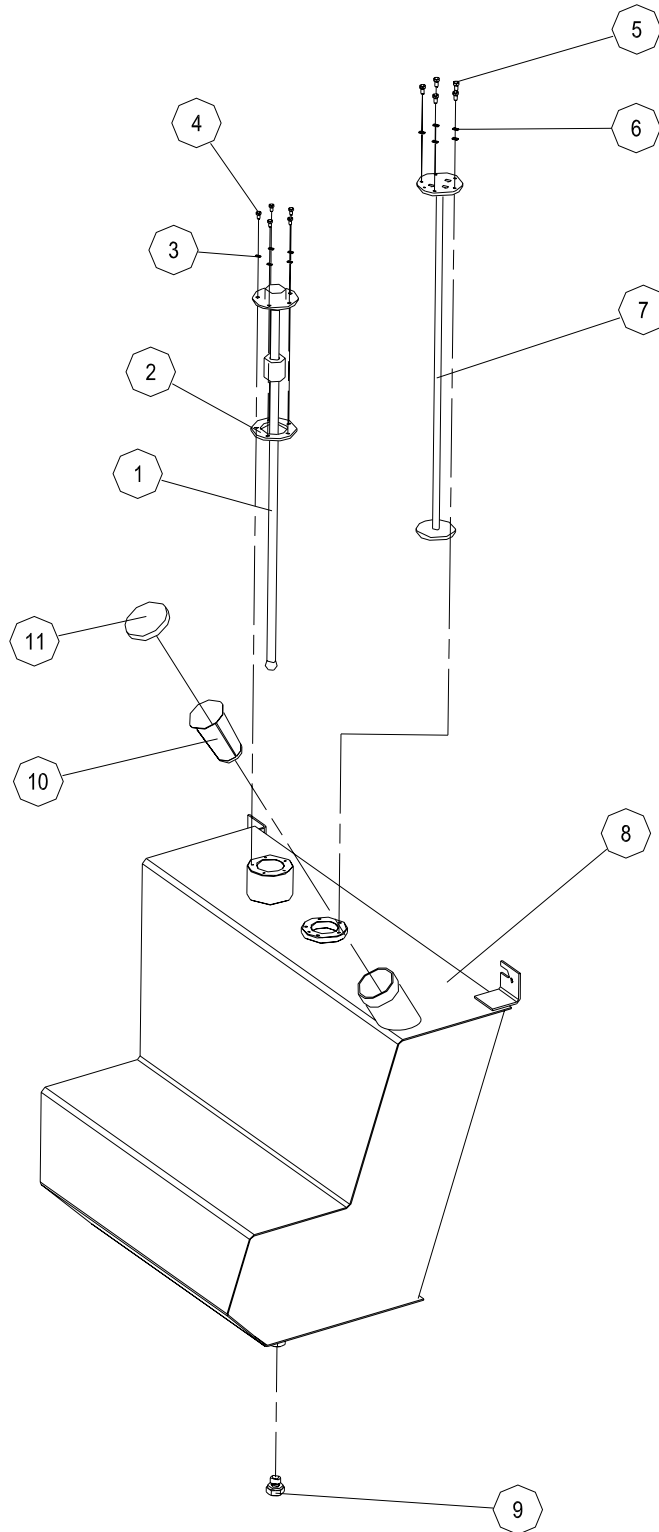
Section2 Turtable

Figure 2-8 Hydraulic Oil Tank Assembly

No.	Parts No.	Description	Qty.	Remark
1	GB70.1-2000	Hexagon Socket Screw M5x12	4	
2	EF3-40	Air Filter	1	
3	GB70.1-2000	Hexagon Socket Screw M6x20	28	
4	GB93-2000	Circlip W6	3	
5	GTBZ16A-19402	Cleaning Window Cover	1	
6	GTBZ16A-19403	Rubber Gasket	1	
7	GB70.1-2000	Hexagon Socket Screw M5x20	4	
8	GB93-2000	Circlip W5	4	
9	RF-60x10L-Y	Return Oil Filter	1	
10	GTBZ16A-19410	Oil Tank Shell	1	
11	YWJ100	Liquid Indicator	2	
12	GB97.1-2000	Flat Washer 10	5	
13	GB5783-2000	Bolt M10x30	5	
14	JB/T1760-1991	Plug Screw M16x1.5	1	
15	WU-63x10-J	Suction Filter	2	
16	GB3452.1-92	O Rubber Seal 82.5x3.55	2	
17	GTBZ16A-19401	Suction Pipe Flange	2	
18	W-8010-1V-1.5KW	Hydraulic Oil Pump	1	
19	GB70.1-2000	Hexagon Socket Screw M6x12	4	

Section2 Turtable

Figure 2-9 Fuel Oil Tank Assembly



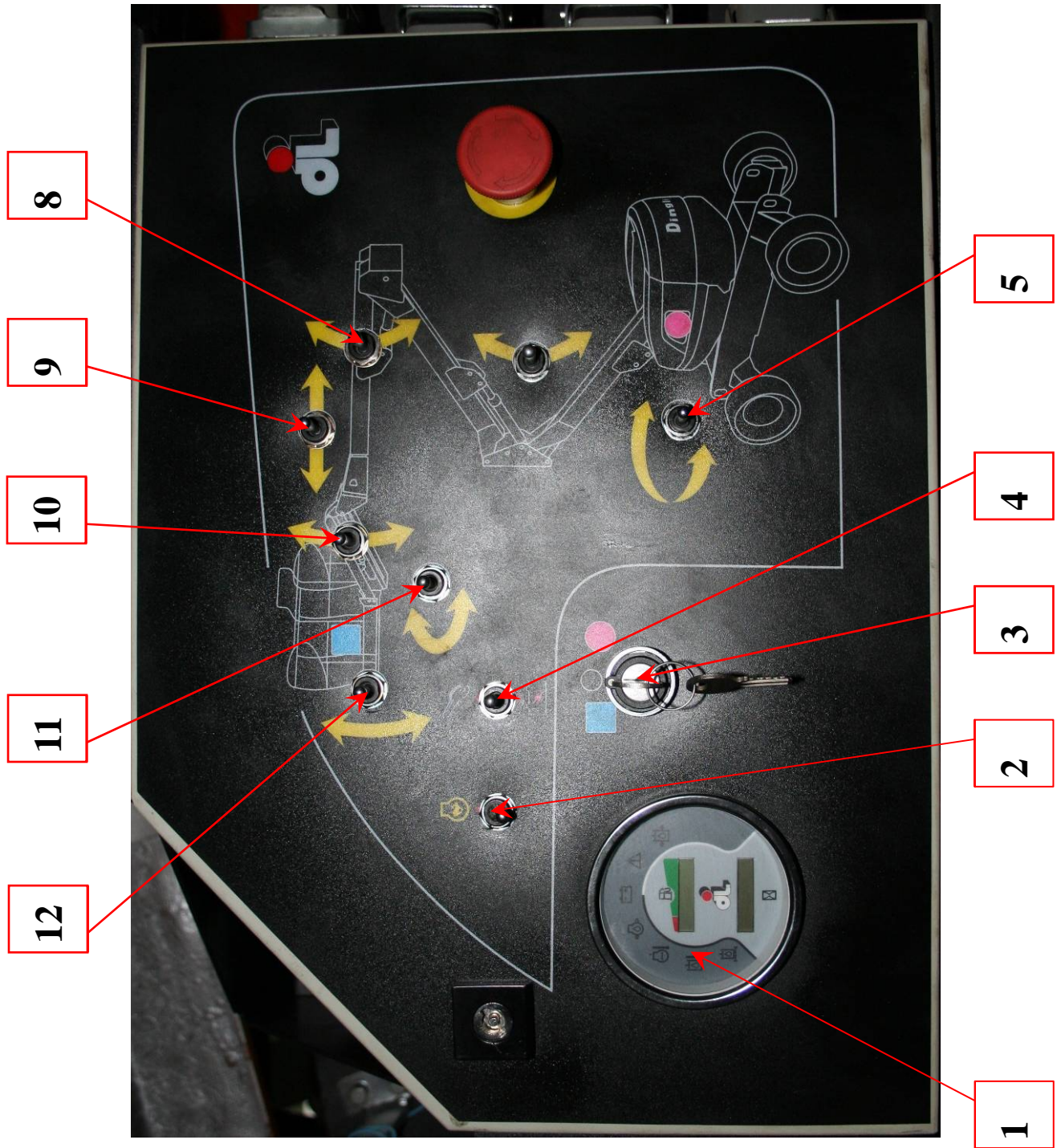
Section2 Turtable

Figure 2-9 Fuel Oil Tank Assembly

No.	Parts No.	Description	Qty.	Remark
1	S340	Sensor	1	
2	GTBZ16A-19301	Rubber Pad	1	
3	GB97.1-2000	Flat Washer 4	5	
4	GB5783-2000	Bolt M4x8	5	
5	GB5783-2000	Bolt M5x10	5	
6	GB93-2000	Circlip W5	5	
7	GTBZ16A-19302	Suction Pipe	1	
8	GTBZ16A-19310	Fuel Oil Tank shell	1	
9	JB/T1760-1991	Plug Screw M16x1.5	1	
10	GTBZ16A-19303	Strainer	1	
11	GTBZ16A-19304	Oil Tank Cap	1	

Section2 Turtable

Figure 2-10 The Ground Console Panel



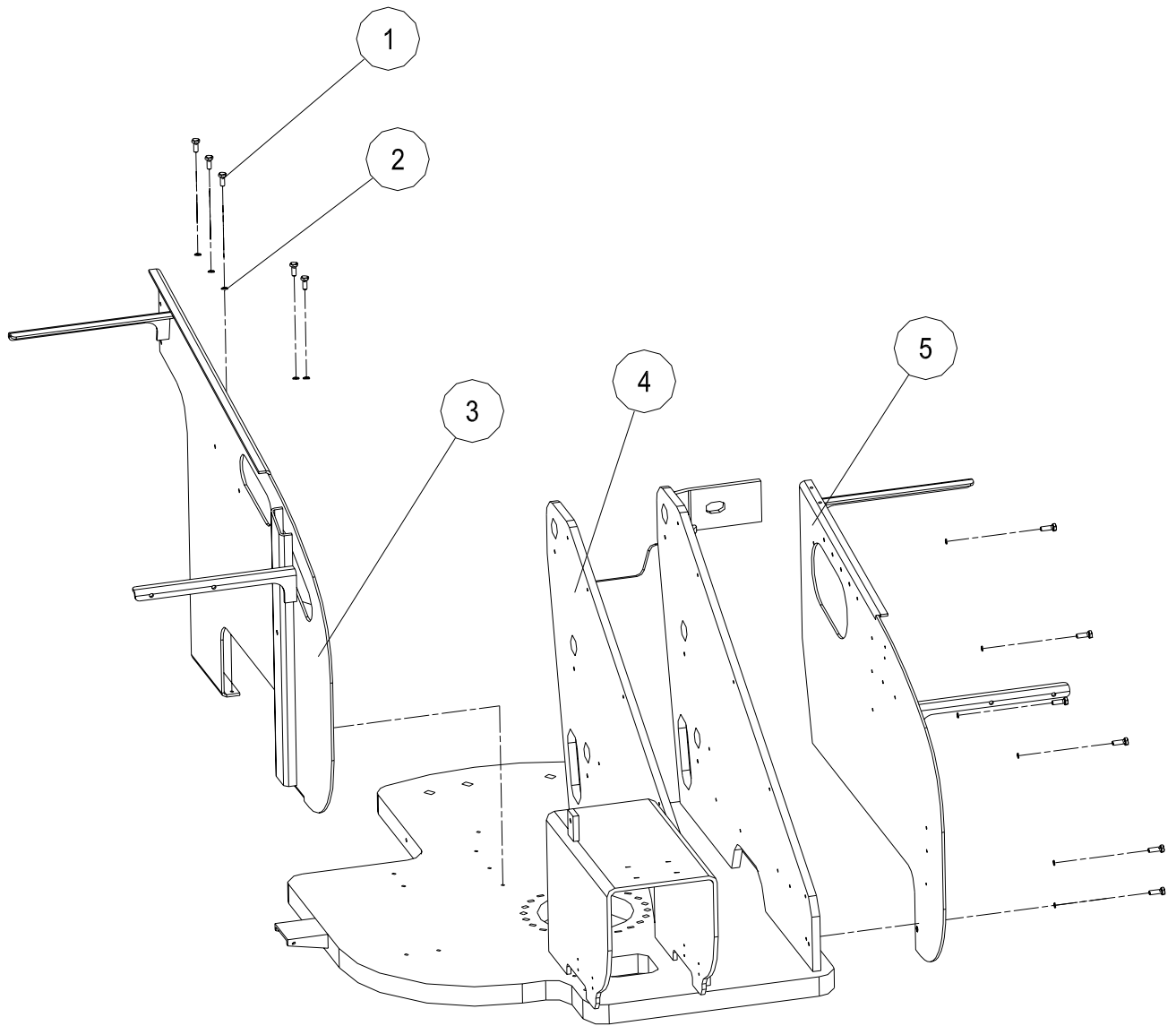
Section2 Turntable

Figure 2-10 The Ground Console Panel

No.	Parts No.	Description	Qty.	Remark
1		The Multifunction Gauge		
2		The Engine Speed Control Switch		
3		The Ground and Platform Console Selecting Switch		
4		Engine Starting Switch		
5		The Turntable Swing Control Switch		
6		Emergency Button		
7		The Control Switch for Lower and Mid Boom Up & Down		
8		The Main Boom Up and Down Controller		
9		The Main Boom Telescopic Controller		
10		The Jib Boom Up & Down Controller		
11		The Platform Rotate Controller		
12		The Platform Leveling Controller		

Section2 Turntable

Figure 2-11 Side Plate Installations



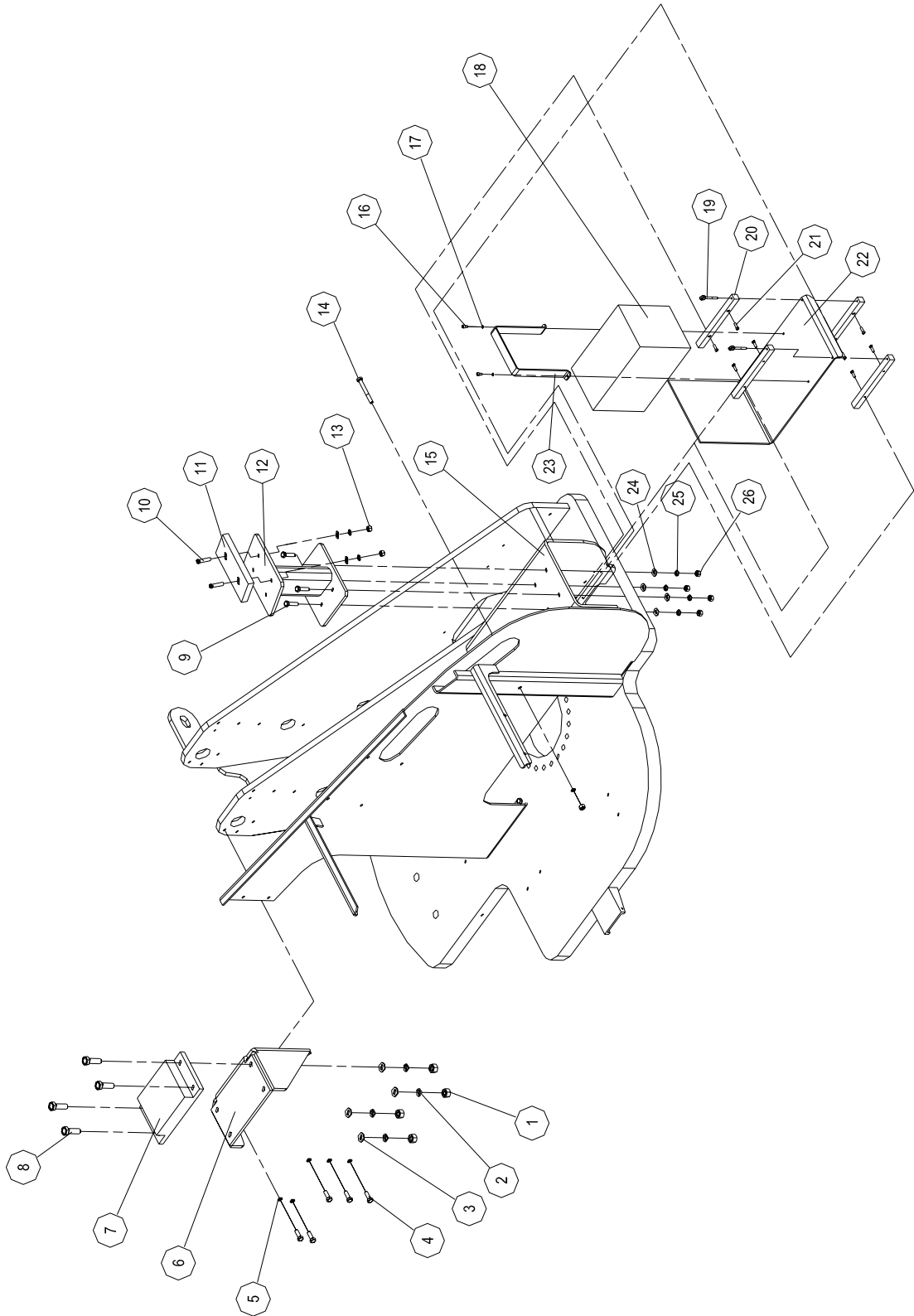
Section2 Turntable

Figure 2-11 Side Plate Installations

No.	Parts No.	Description	Qty.	Remark
1	GB5783-2000	Bolt M8x25	10	
2	GB93-2000	Circlip W8	10	
3	GTBZ16A-19010	Left Side Plate	1	
4	GTBZ16A-19100	Turntable	1	
5	GTBZ16A-19050	Right Side Plate	1	

Section2 Turntable

Figure 2-12 Crank Arm Bracket Installations



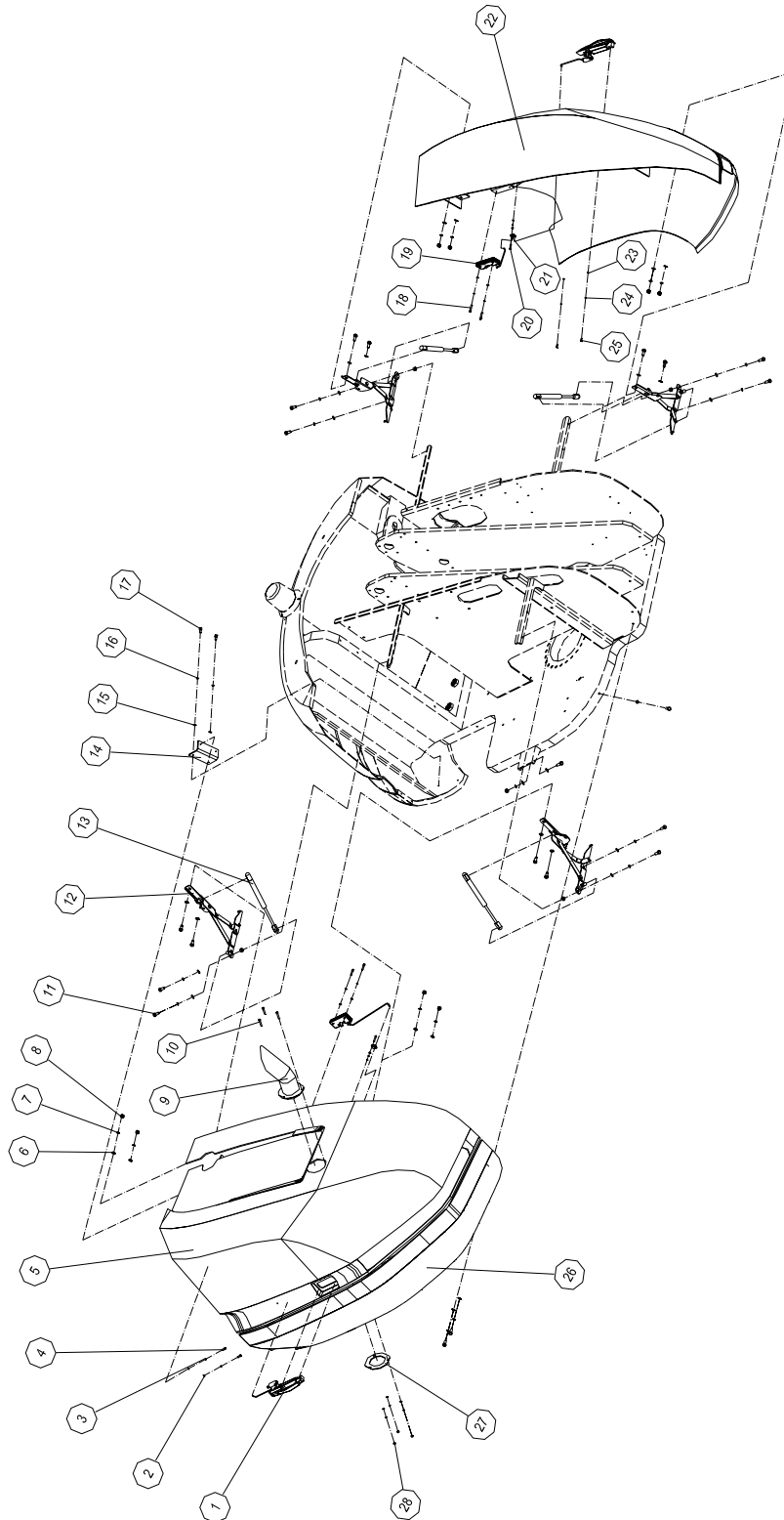
Section2 Turntable

Figure 2-12 Crank Arm Bracket Installations

No.	Parts No.	Description	Qty.	Remark
1	GB6170-2000	Bolt M16	4	
2	GB93-2000	Circlip W16	4	
3	GB97.1-2000	Flat Washer 16	4	
4	GB5783-2000	Bolt M10x30	5	
5	GB93-2000	Circlip W10	8	
6	GTBZ16A-19021	Fore-Stock	1	
7	GTBZ16A-19022	Rubber Pad	1	
8	GB5780-2000	Bolt M16x50	4	
9	GB5783-2000	Bolt M12x40	4	
10	GB819-2000	Bolt M10x45	2	
11	GTBZ16A-19201	Rubber Pad	1	
12	GTBZ16A-19210	Rear Support Bracket	1	
13	GB6170-2000	Nut M10	3	
14	GB5780-2000	Bolt M10x90	1	
15	GTBZ16A-19130	Mast Base	1	
16	GB70.1-2000	Hexagon Socket Screw M6x10	2	
17	GB93-2000	Circlip W6	2	
18	95D31L	Accumulator	1	Outsourcing
19	GTBZ16A-19204	Guide Pin	2	
20	GTBZ16A-19205	Sliding Block	4	
21	GB70.1-2000	Hexagon Socket Screw M6x20	4	
22	GTBZ16A-19202	Accumulator Supporting Plate	1	
23	GTBZ16A-19203	Accumulator Fixing Plate	1	
24	GB97.1-2000	Flat Washer 12	4	
25	GB93-2000	Circlip W12	4	
26	GB6170-2000	Nut M12	4	

Section2 Turtable

Figure 2-13 Shield Installations



Section2 Turtable

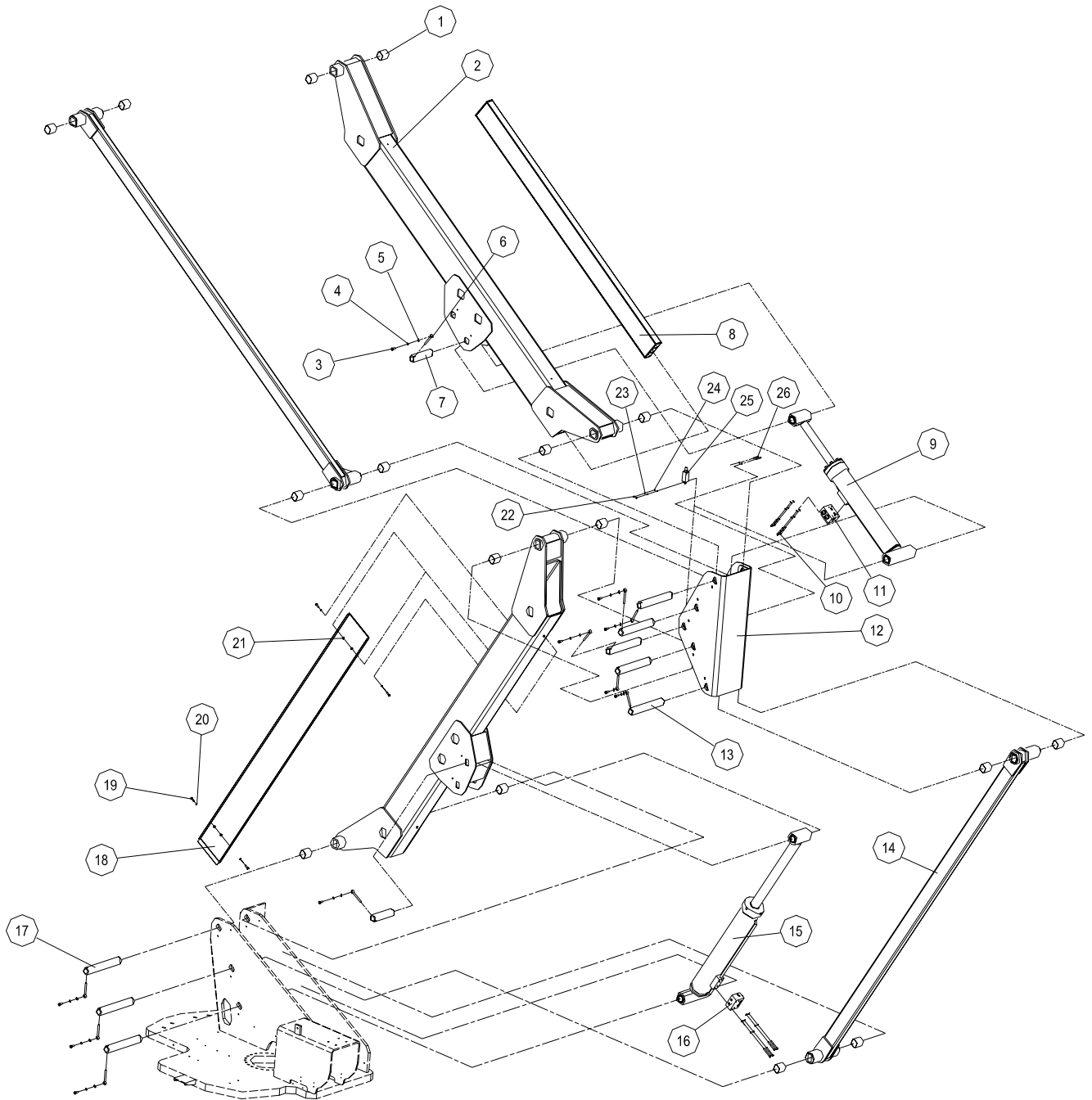
Figure 2-13 Shield Installations

No.	Parts No.	Description	Qty.	Remark
1	GMP.PA6.012	Handle	2	Outsourcing
2	GB97.1-2000	Flat washer 6	9	
3	GB93-2000	Circlip W6	9	
4	GB70.1-2000	Hexagon Socket Screw M6x16	2	
5	GTBZ16A-19710	Engine Upper Shield	1	Outsourcing
6	GB97.1-2000	Flat 10	29	
7	GB93-2000	Circlip W10	22	
8	GB6170-2000	Nut M10	12	
9	GTBZ16A-19760	Chimney	1	
10	GB5783-2000	Bolt M6x35	3	
11	GB5783-2000	Bolt M10x30	20	
12	GTBZ16-19770	Hinge	4	Outsourcing
13	81161-3D001	Gas Spring	4	Outsourcing
14	GTBZ16A-19750	Connecting Plate	1	
15	GB97.1-2000	Flat Washer 8	2	
16	GB93-2000	Circlip W8	2	
17	GB70.1-2000	Hexagon Socket Screw M8x16	2	
18	GB70.1-2000	Hexagon Socket Screw M6x30	4	
19	Trimark New Hampton.IA	Lock	2	Outsourcing
20	GB70.1-2000	Hexagon Socket Screw M5x20	2	
21	GTBZ16A-19740	Interconnected	2	
22	GTBZ16A-19800	Fuel Tank Shield	1	Outsourcing
23	GB97.1-2000	Flat Washer 5	6	
24	GB93-2000	Circlip W5	6	
25	GB70.1-2000	Hexagon Socket Screw M5x10	4	
26	GTBZ16A-19720	Engine Below Shield	1	Outsourcing
27	GTBZ16A-19730	Chimney Fixing Plate	1	
28	GB6170-2000	Nut M6	3	

Boom

Section 3

Figure 3-1 Crank Arm 1&2 Installations



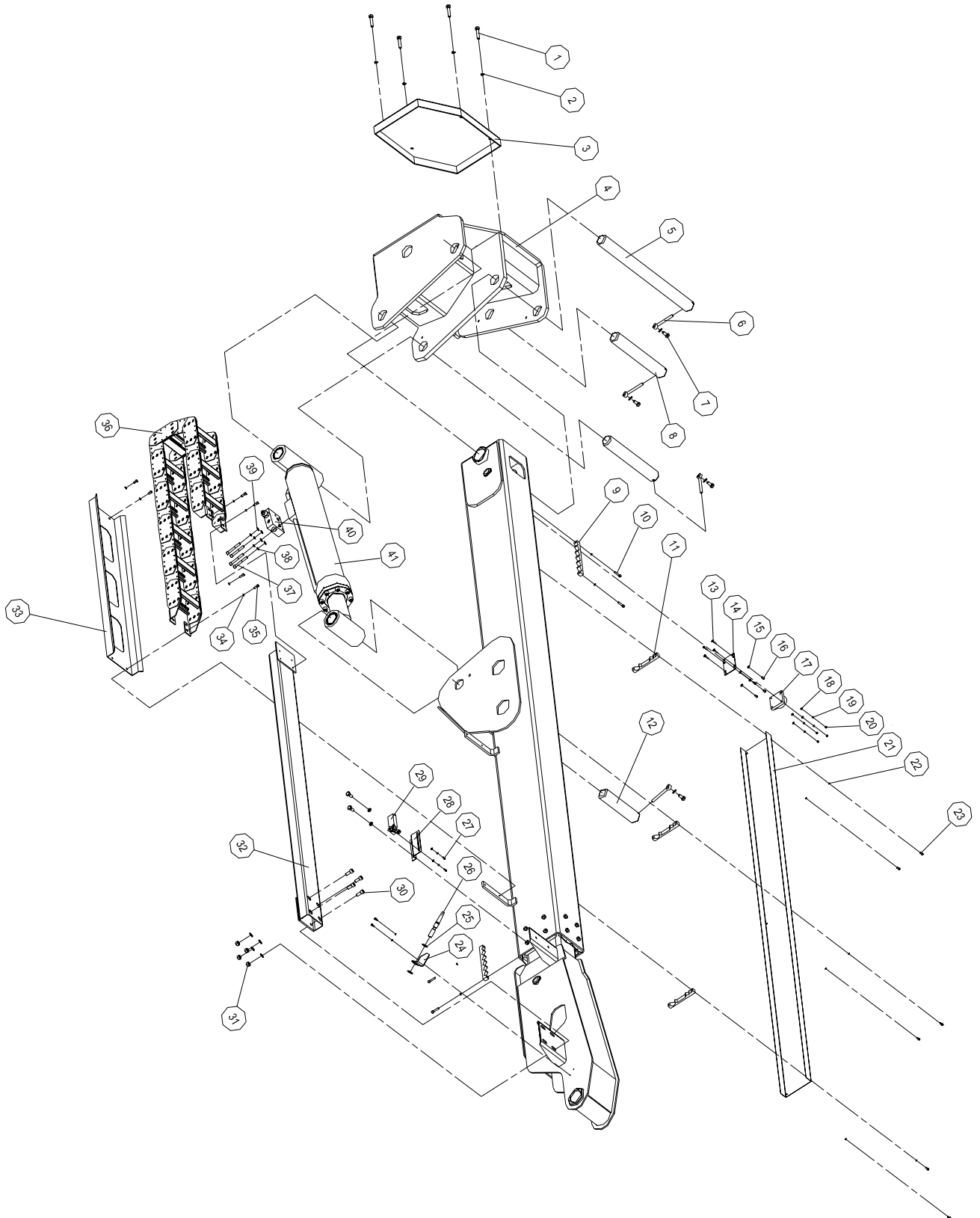
Section3 Boom

Figure 3-1 Crank Arm 1&2 Installations

No.	Parts No.	Description	Qty.	Remark
1	CRG5060-60	Composite Bearing	16	
2	GTBZ16-34110	Crank Arm	2	
3	GB5783-2000	Bolt M10x25	16	
4	GB93-2000	Circlip W10	16	
5	GB97.1-2000	Flat Washer 10	16	
6	JCPT1523RT-12005	Pin ϕ 10x95	10	
7	GTBZ16A-34101	Axle ϕ 50x190	2	
8	GTBZ16A-34150	Vitta Sleeve	1	
9	GTBZ16A-53200	Oil Cylinder	1	Outsourcing
10	GB70.1-2000	Hexagon Socket Screw M8x65	8	
11	HIC080912-4	Balance Valve	1	Outsourcing
12	GTBZ16A-34130	Connecting Cage	1	
13	GTBZ16A-34102	Axle ϕ 50x310	5	
14	GTBZ16A-34120	Connect Rod	2	
15	GTBZ16-53100	Variance Range Cylinder	1	Outsourcing
16	HIC080912-3	Balance Valve	1	Outsourcing
17	GTBZ16A-19003	Axle ϕ 50x325	3	
18	GTBZ16A-34103	Vitta Board	1	
19	GB5783-2000	Bolt M8x30	4	
20	GB93-2000	Circlip W8	12	
21	GB6170-2000	Nut M8	12	
22	GB6170-2000	Nut M5	2	
23	GB93-2000	Circlip W5	2	
24	GB97.1-2000	Flat Washer D5	4	
25	MBX06S	Limit Switch	1	Outsourcing
26	GB818-2000	Half-round Head Screw M5x50	2	

Section3 Boom

Figure 3-2 Crank Arm 3&Extend Arm Installations 1



Section3 Boom

Figure 3-2 Crank Arm 3&Extend Arm Installations 1

No.	Parts No.	Description	Qty.	Remark
1	GB5783-2000	Bolt M10x55	4	
2	GB93-2000	Circlip W10	12	
3	GTBZ16A-34290	Joint Cover	1	
4	GTBZ16A-34240	Connecting Cage	1	
5	GTBZ16A-34201	Axis ϕ 50x585	1	
6	JCPT1523RT-12005	Pivot ϕ 10x95	4	
7	GB5783-2000	Bolt M10x25	4	
8	GTBZ16A-34202	Axis ϕ 50x320	2	
9	GTBZ16A-34002	Vitta Binder Plate 1	3	
10	GB70.1-2000	Hexagon Socket Screw M6x30	10	
11	GTBZ16A-34005	Vitta Binder Plate 2	3	
12	GTBZ16A-34203	Axis ϕ 50x220	1	
13	GB819-2000	Sunk Screw M4x20	4	
14	GTBZ16A-34004	Sensor Bracket	1	
15	GB97.1-2000	Flat Washer 5	4	
16	GB818-2000	Half-round Head Screw M5x10	4	
17	ASA-CBS-SP/21	Sensor	1	Outsourcing
18	GB97.1-2000	Flat Washer 4	6	
19	GB93-2000	Circlip W4	6	
20	GB6170-2000	Nut M4	4	
21	GTBZ16A-34208	Vitta Shield	1	
22	GB93-2000	Circlip W5	8	
23	GB70.1-2000	Hexagon Socket Screw M5x10	8	
24	GTBZ16A-34001	Limit Switch Supporting Plate	1	
25	GTBZ16A-34003	Nut M16	2	
26	GTBZ16A-34260	Limit Switch	1	Outsourcing
27	GB818-2000	Half-round Head Screw M4x10	2	
28	GTBZ16A-34003	Limit Switch Bracket	1	

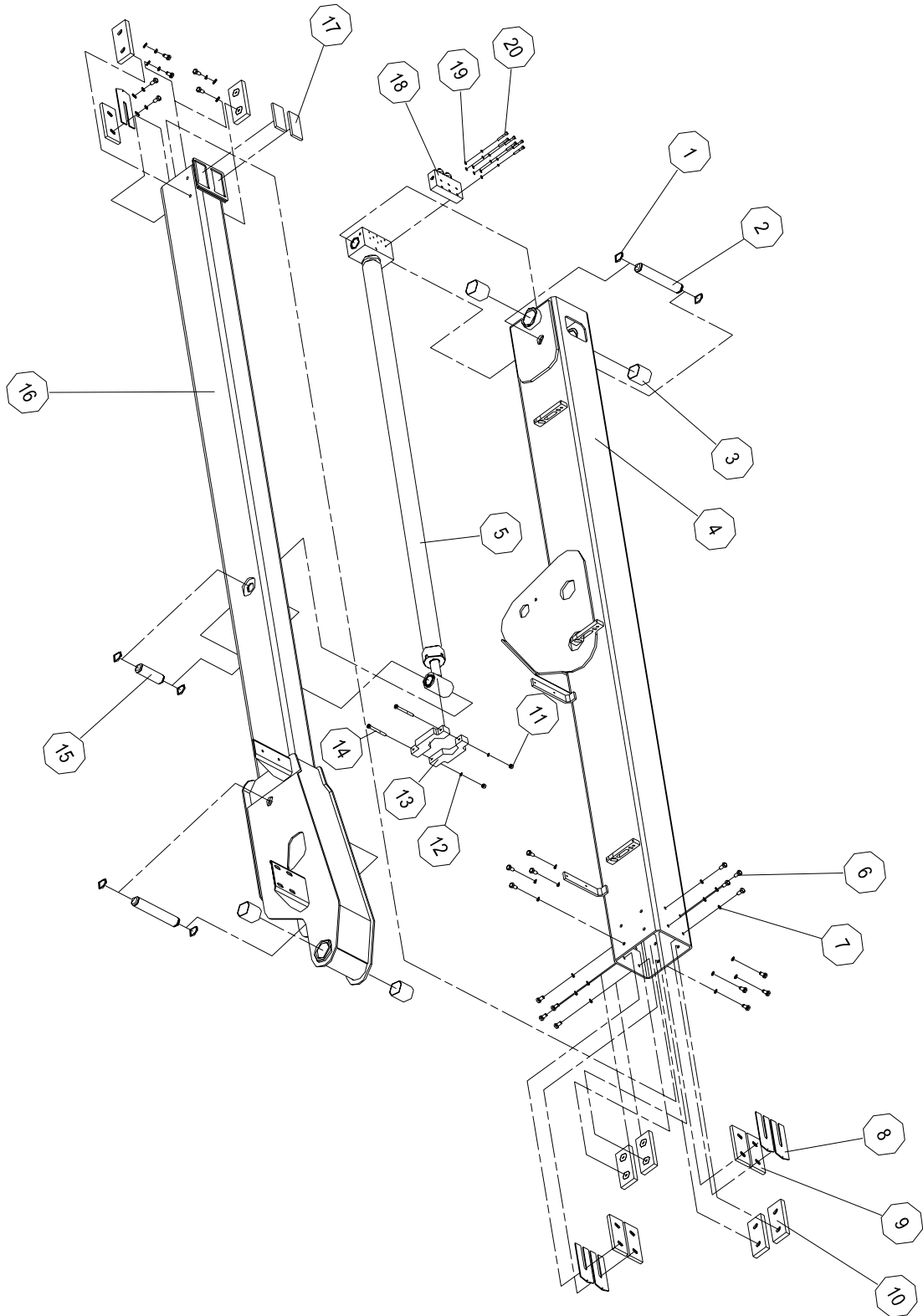
Section3 Boom

Figure 3-2 Crank Arm 3&Extend Arm Installations 1

No.	Parts No.	Description	Qty.	Remark
29	TZ-8108	Limit Switch	1	Outsourcing
30	GB70.1-2000	Hexagon Socket Screw M10x25	4	
31	GB6170-2000	Nut M10	4	
32	GTBZ16A-34280	Vitta Bracket	1	
33	GTBZ16-34207	Towline Supporting Plate	1	
34	GB93-2000	Circlip W6	14	
35	GB70.1-2000	Hexagon Socket Screw M6x16	4	
36	TL65	Towline	1	Outsourcing
37	GB70.1-2000	Hexagon Socket Screw M8x45	4	
38	GB93-2000	Circlip W8	4	
39	GB97.1-2000	Flat Washer 8	4	
40	HIC080912-2	Balance Valve	1	Outsourcing
41	GTBZ16A-53300	Oil Cylinder	1	Outsourcing

Section3 Boom

Figure 3-3 Crank Arm 3&Extend Arm Installations 2



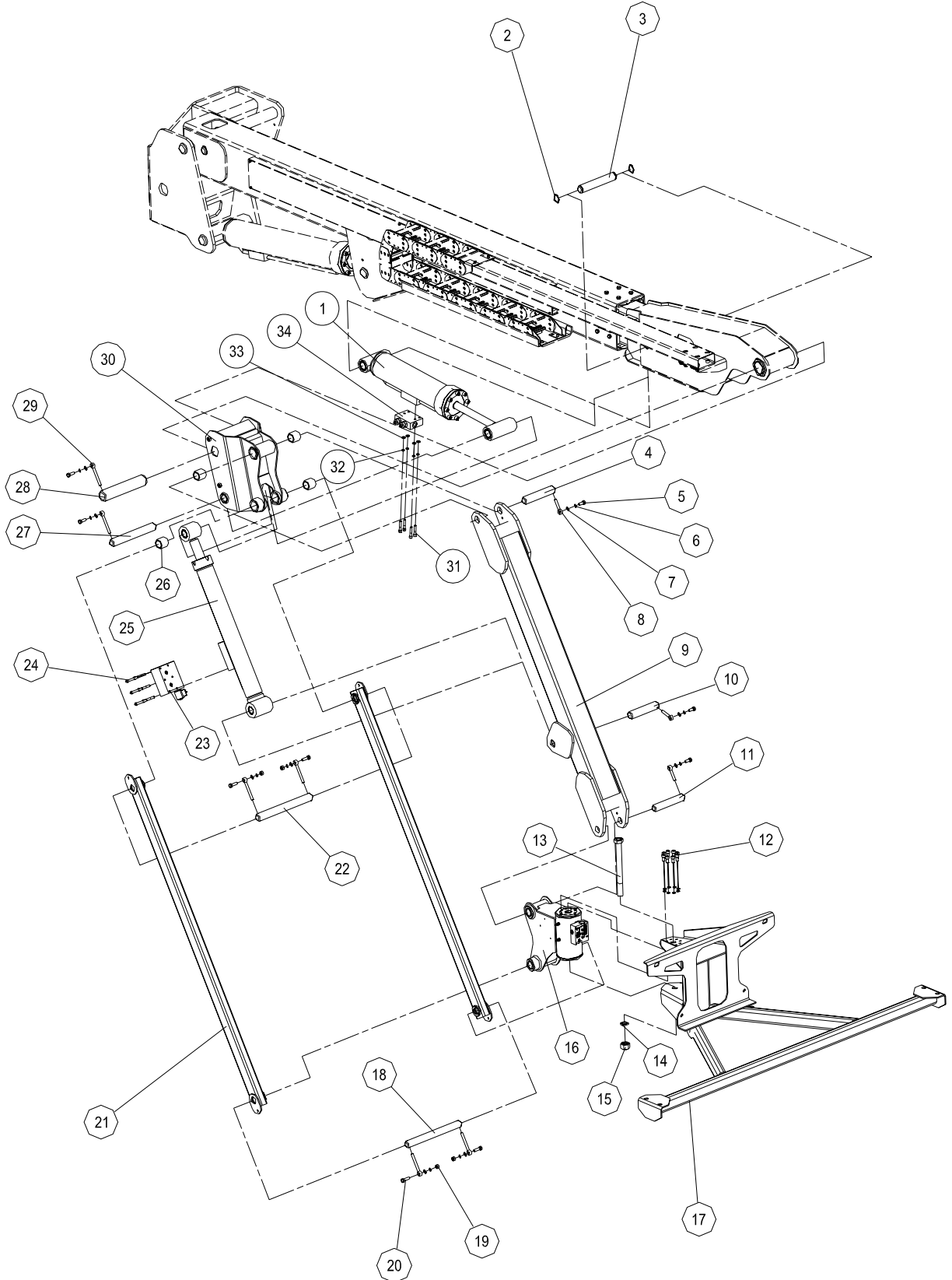
Section3 Boom

Figure 3-3 Crank Arm 3&Extend Arm Installations 2

No.	Parts No.	Description	Qty.	Remark
1	GB894.1-2000	Circlip For Shaft D35	6	
2	GTBZ16A-34204	Axle ϕ 35x210	2	
3	CRG-5060-60	Composite Bearing	2	Outsourcing
4	GTBZ16A-34210	Crank Arm3	1	
5	GTBZ16A-53400	Extend Cylinder	1	Outsourcing
6	GB5783-2000	Bolt M10x20	22	
7	GB93-2000	Circlip W10	22	
8	GTBZ16A-34206	Adjusting Washer	5	
9	GTBZ16A-34250	Sliding Block 2	5	
10	GTBZ16S-33150	Sliding Block 1	6	
11	GB41-2000	Nut M8	2	
12	GB93-2000	Circlip W8	2	
13	GTBZ16A-34270	Nylon Block	2	
14	GB5780-2000	Bolt M8x80	2	
15	GTBZ16A-34205	Axle ϕ 35x115	1	
16	GTBZ16-34220	Extend Arm	1	
17	GTBZ16A-34209	Sliding Block3	2	
18	HIC080124-3M	Balance Valve	1	Outsourcing
19	GB97.1-2000	Flat Washer 8	6	
20	GB70.1-2000	Hexagon Socket Screw M8x45	6	

Section3 Boom

Figure 3-4 Extend Arm、Forearm&Cage Bracket Installations



Section3 Boom

Figure 3-4 Extend Arm、Forearm&Cage Braket Installations

No.	Parts No.	Description	Qty.	Remark
1	GTBZ16A-53600	Leveling Cylinder	1	Outsourcing
2	GB894.1-2000	Circlip For Shaft D35	2	
3	GTBZ16A-34204	Axle ϕ 35x210	2	
4	GTBZ16S-33303	Axle ϕ 35x180	1	
5	GB5783-2000	Bolt M10x25	5	
6	GB93-87	Circlip W10	9	
7	GB97.1-2000	Flat Washer 10	9	
8	JCPT1523RT-12003	Pin ϕ 10xz60	3	
9	GTBZ16S-33320	Upper Link	1	
10	GTBZ16S-33306	Axle ϕ 35x165	1	
11	GTBZ16S-33301	Axle ϕ 31.8x180	1	
12	GB70.1-2000	Hexagon Socket Screw M10x20	8	
13	GB5780-2000	Bolt M24x260	1	
14	GB93-2000	Circlip W24	1	
15	GB6170-2000	Nut M24	1	
16	GTBZ16S-33350	Flipper Cylinder	1	Outsourcing
17	GTBZ16-43100	Cage Bracket	1	
18	GTBZ16S-33302	Axle ϕ 31.8x324	1	
19	GB6170-2000	Nut M10	4	
20	GB5783-2000	Bolt M10x35	4	
21	GTBZ16S-33330	Lower Link	2	
22	GTBZ16-33304	Axle ϕ 35x324	1	
23	DPH-05009B-08	Balance Valve	1	Outsourcing
24	GB70.1-2000	Hexagon Socket Screw M8x80	6	
25	GTBZ16A-53500	Forearm Cylinder	1	Outsourcing
26	CRG-3545-35	Composite Bearing	4	Outsourcing
27	GTBZ16A-34330	Axle ϕ 35x260	1	
28	GTBZ16A-34320	Axle ϕ 50x250	1	

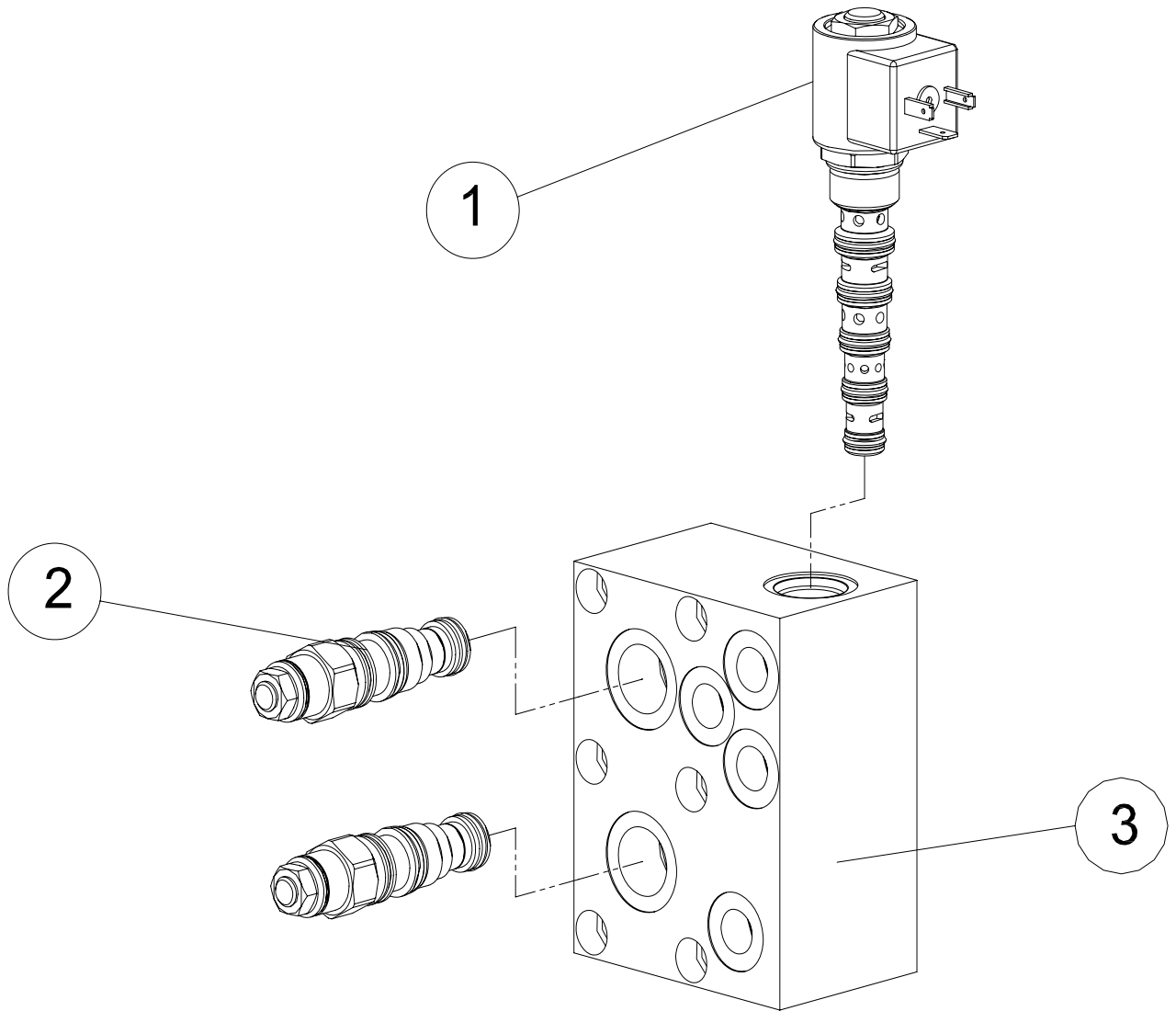
Section3 Boom

Figure 3-4 Extend Arm、Forearm&Cage Braket Installations

No.	Parts No.	Description	Qty.	Remark
29	JCPT1523RT-12005	Pin ϕ 10x95	6	
30	GTBZ16A-34310	Forearm Basis	1	
31	GB70.1-2000	Hexagon Socket Screw M8x45	4	
32	GB93-2000	Circlip W8	4	
33	GB97.1-2000	Flat Washer 8	4	
34	HIC080912-1	Balance Valve	1	

Section3 Boom

Figure 3-5 Balance Valve Assembly



Section3 Boom

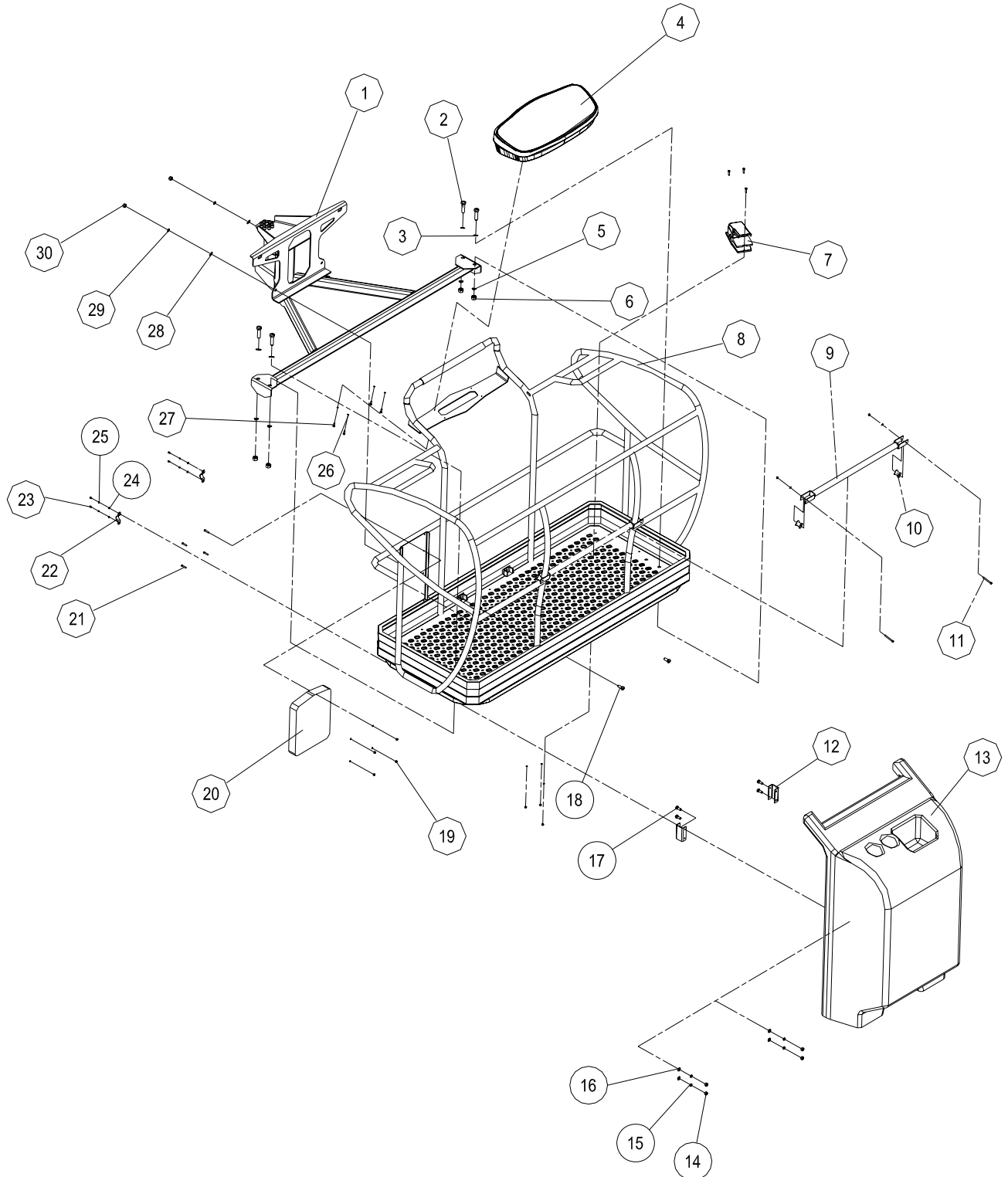
Figure 3-5 Balance Valve Assembly

No.	Parts No.	Description	Qty.	Remark
1	SV80-61-0-N-12DG	2-position 6-way Solenoid Valve	1	
2	CBBC-LHN	Balance Valve	2	
3	DPH-05009B-08	Valve Body	1	

Platform

Section 4

Figure 4-1 Platform Installations



Section4 Platform

Figure 4-1 Platform Installations

No.	Parts No.	Description	Qty.	Remark
1	GTBZ16S-43100	Cage Bracket	1	
2	GB5783-2000	Bolt M14x60	4	
3	GB97.1-2000	Flat Washer 14	4	
4	GTBZ16A-43018	Front Control Panel	1	Outsourcing
5	GB93-2000	Circlip W14	4	
6	GB41-2000	Nut M14	4	
7	TFS-302	Foot Switch	1	
8	GTBZ16S-43200	Cage	1	
9	GTBZ16S-43200	Doorstop	1	
10	GTBZ16S-43007	Nylon Wheel	2	
11	GB5783-2000	Bolt M6x60	2	
12	GTBZ16S-43015	Supporting Plate	2	
13	GTBZ16S-43019	Front Control Box	1	Outsourcing
14	GB6170-2000	Nut M10	4	
15	GB93-2000	Circlip W10	4	
16	GB97.1-2000	Flat Washer D10	4	
17	GB5783-2000	Bolt M10x25	4	
18	GB5783-2000	Bolt M12x30	2	
19	GB41-2000	Nut M6	9	
20	GTBZ16S-43014	Manuals Box	1	Outsourcing
21	GB818-2000	Half-round Head Screw 6x30	4	
22	GTBZ16S-43017	Hoop	2	
23	GB818-2000	Half-round Head Screw M5x8	4	
24	GB97.1-2000	Flat Washer D15	4	
25	GB93-2000	Circlip W5	4	
26	GB93-2000	Circlip W6	17	
27	GB70.1-2000	Hexagon Socket Screw M6x20	4	
28	GB97.1-2000	Flat Washer D12	2	

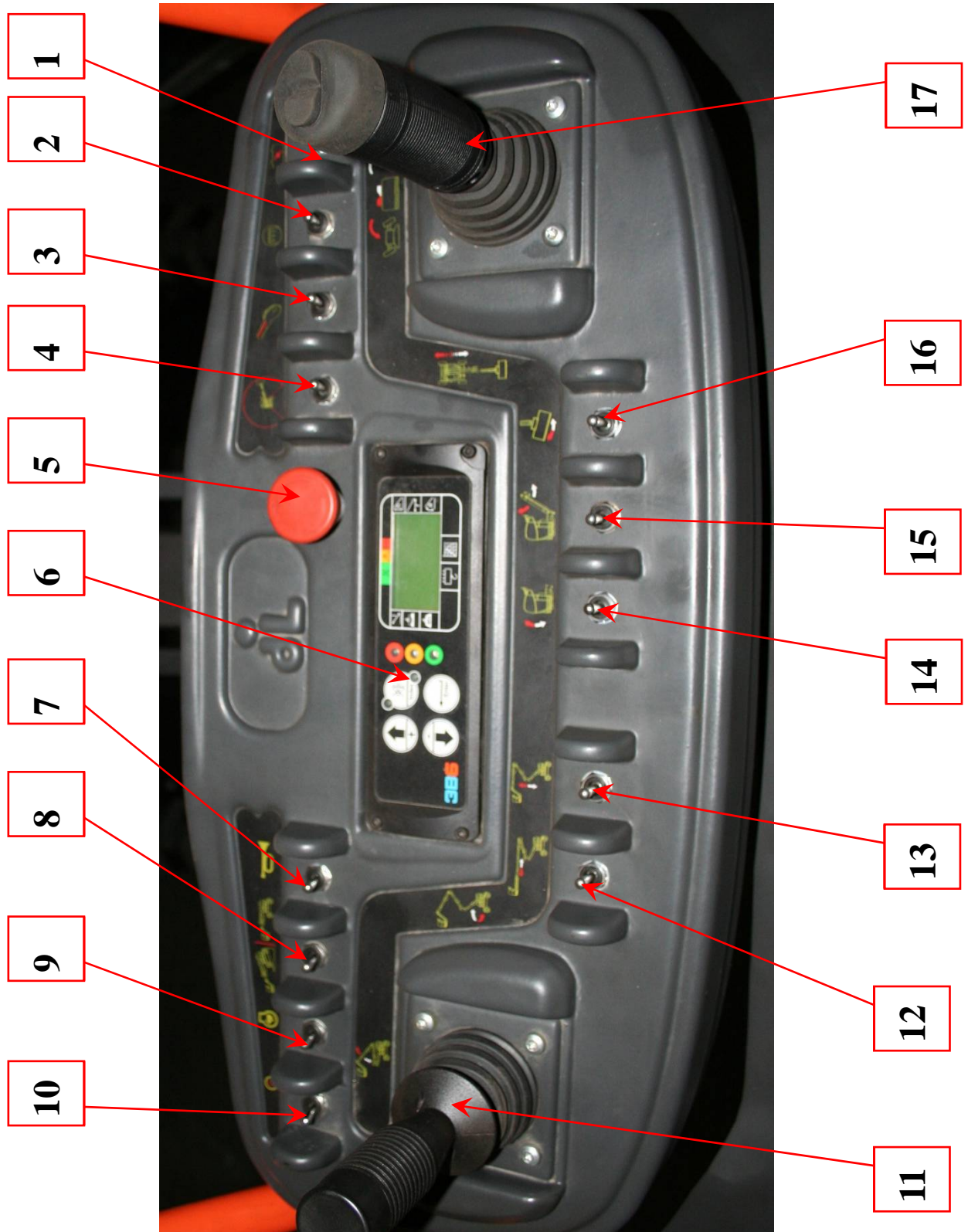
Section4 Platform

Figure 4-1 Platform Installations

No.	Parts No.	Description	Qty.	Remark
29	G93-2000	Circlip W12	2	
30	GB6170-2000	Nut M12	2	

Section4 Platform

Figure 4-2 Platform Console Panel



Section4 Platform

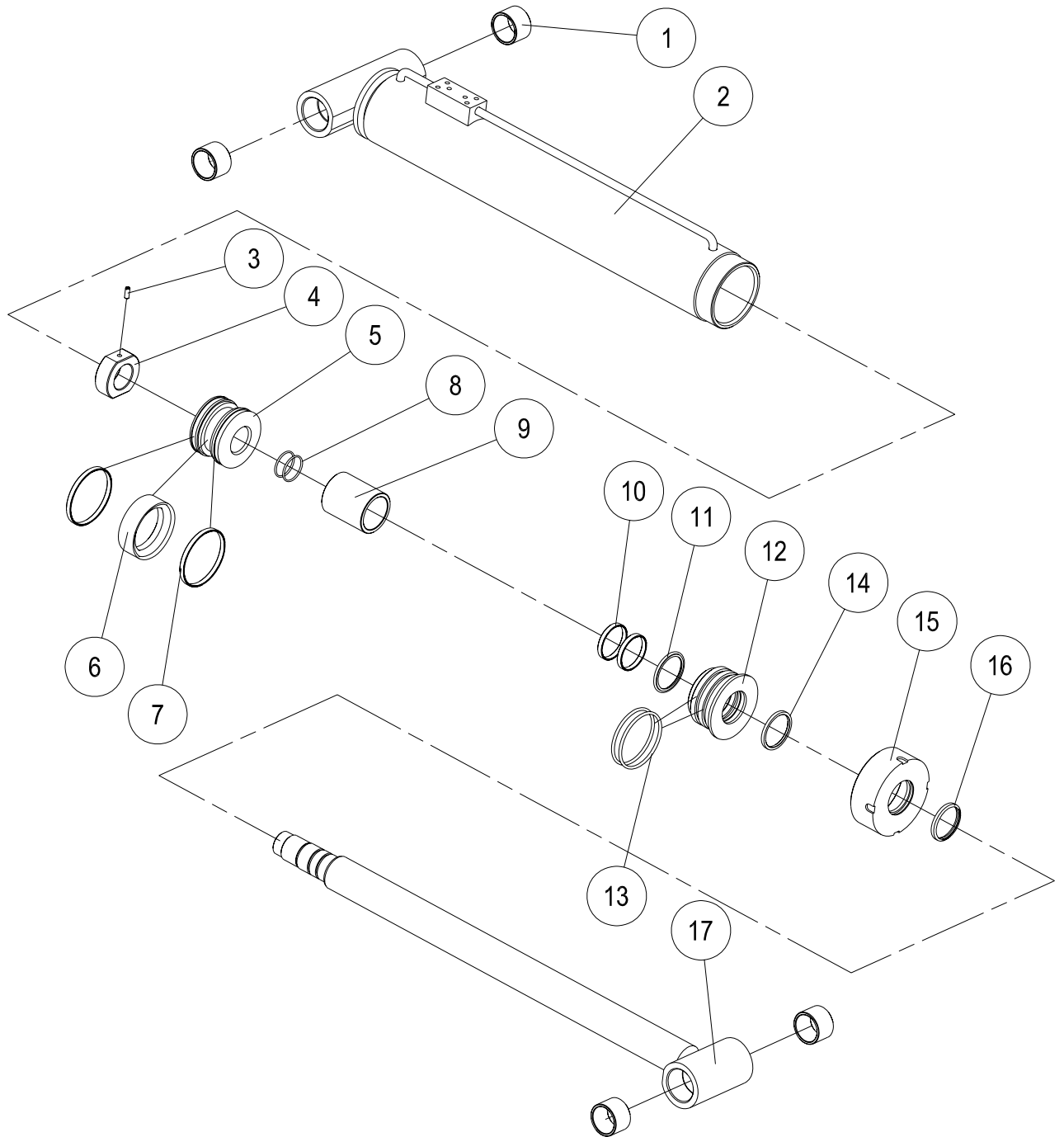
Figure 4-2 Platform Console Panel

No.	Parts No.	Description	Qty.	Remark
1		The Auxiliary Power Control Switch	1	
2		The Glow Plug Control Switch		
3		The Engine Start Switch		
4		The Driving Enable Override Swith		
5		Emergency Button		
6		The Control Unit and Panel		
7		The Horn Button		
8		The Driving Mode Choosing Switch		
9		The Engine Speed Control Switch		
10		AC Generator		
11		The Main Boom Controller		
12		The Main Boom Telescopic Control Switch		
13		The Lower and Mid Boom Control Switch		
14		The Platform Leveling Control Switch		
15		The Jib Boom Up & Down Control Switch		
16		The Platform Rotate Control Switch		
17		The Driving Controller		

Cylinder

Section 5

Figure 5-1 Lower Variance Range Cylinder Assembly



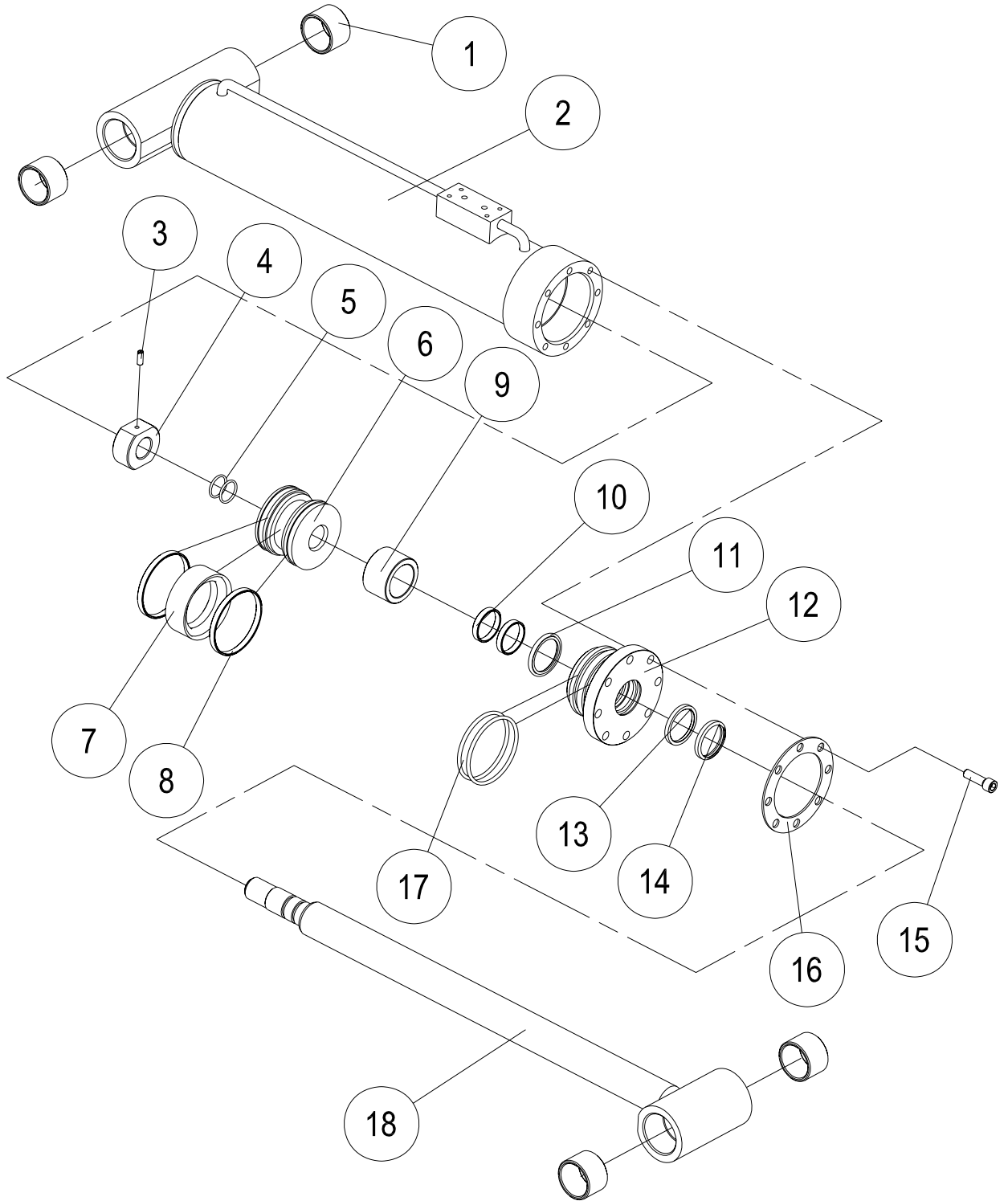
Section5 Cylinder

Figure 5-1 Lower Variance Range Cylinder Assembly

No.	Parts No.	Description	Qty.	Remark
1	φ50×φ60-40	Composition Bearing	4	
2	GTBZ16A-53100-100B	Cylinder Body	1	
3	GB79-85	Set Screw M8×10	1	
4	GTBZ16A-53100-1	Nut M48	1	
5	GTBZ16A-53100-2	Piston	1	
6	D110×85-22.4	Seal	1	
7	D110×9.4×2.5	Support Ring For Hole	2	
8	GB1235-76	Rubber Seal 50×3.5	2	
9	GTBZ16A-53100-3	Spacer Sleeve	1	
10	D63×9.4×2.5	Support Ring For Axle	2	
11	D63×78.1×6.3	HBTS	1	
12	GTBZ16A-53100-4	Guide Sleeve	1	
13	GB1235-76	O Rubber Seal110×5.7	2	
14	d 63×73×6	Shaft Seal	1	
15	GTBZ16A-53100-5	Blind Nut M128×2	1	
16	d63×71×5/6.5	Dust Ring	1	
17	GTBZ16A-53100-200B	Piston Rod	1	

Section5 Cylinder

Figure 5-2 Middle Variance Range Cylinder Assembly



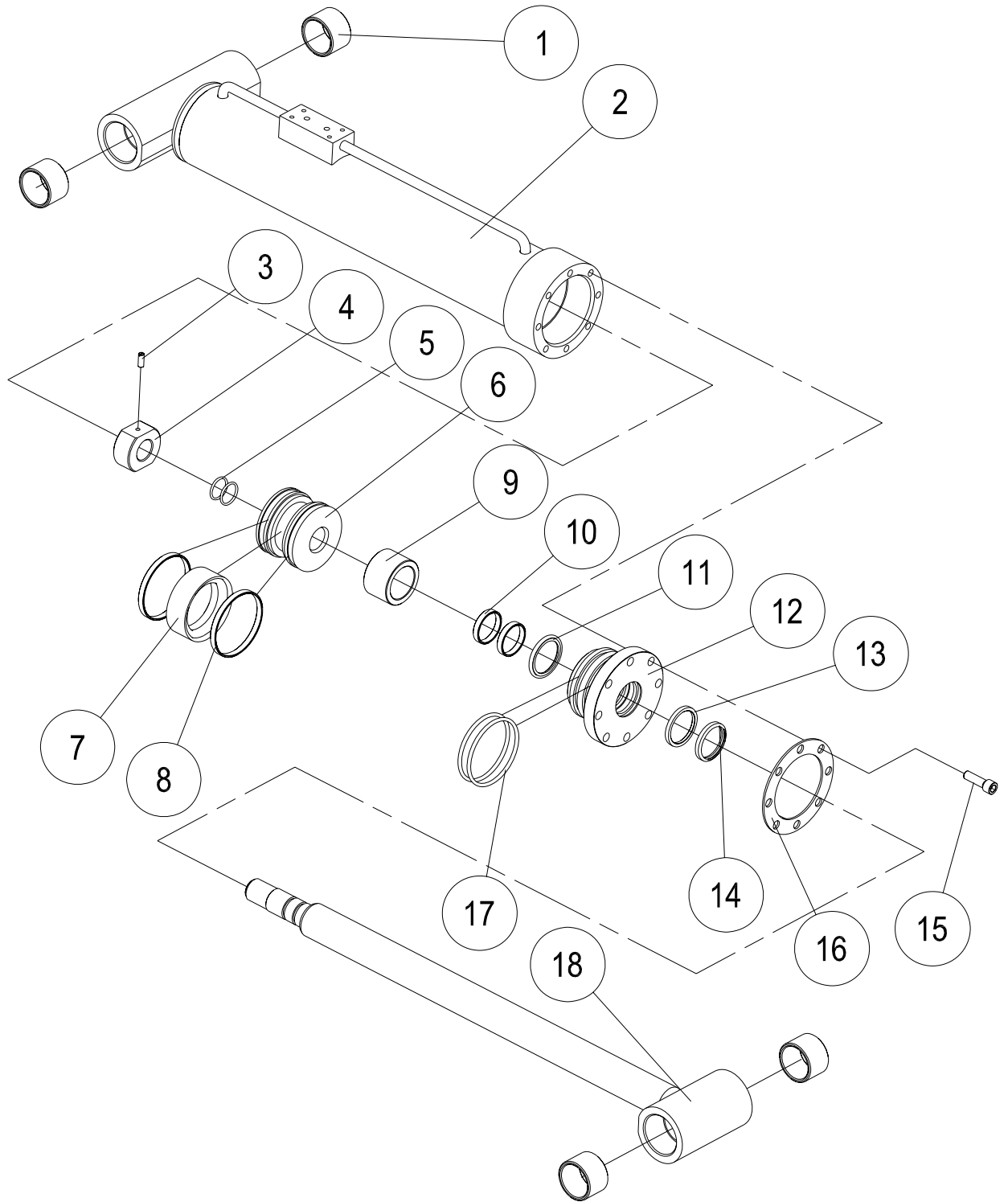
Section5 Cylinder

Figure 5-2 Middle Variance Range Cylinder Assembly

No.	Parts No.	Description	Qty.	Remark
1	$\phi 50 \times \phi 60-40$	Composition Bearing	4	
2	GTBZ16A-53200-100B	Cylinder Body	1	
3	GB79-85	Set Screw M8×10	1	
4	GTBZ16A-53200-1	Nut M33	1	
5	GB1235-76	O Rubber Seal 35x3.5	2	
6	GTBZ16A-53200-2	Piston	1	
7	D100×75×22.4	Seal	1	
8	D100×9.4×2.5	Support Ring For Hole	2	
9	GTBZ16A-53200-3	Spacer Sleeve	1	
10		Support Ring For Axle	2	
11	d50×65.1×6.3	HBTS	1	
12	GTBZ16A-53200-4	Guide Sleeve	1	
13	d50×60×6	Shaft Seal	1	
14	d50×58×5/6.5	Dust Ring	1	
15	GB70-85	Hexagon Socket Screw M12×40	8	
16	GTBZ16A-53200-5	Washer	1	
17	GB1235-76	O Rubber Seal 105x5.7	2	
18	GTBZ16A-53200-200A	Piston Rod	1	

Section5 Cylinder

Figure 5-3 Upper Variance Range Cylinder Assembly



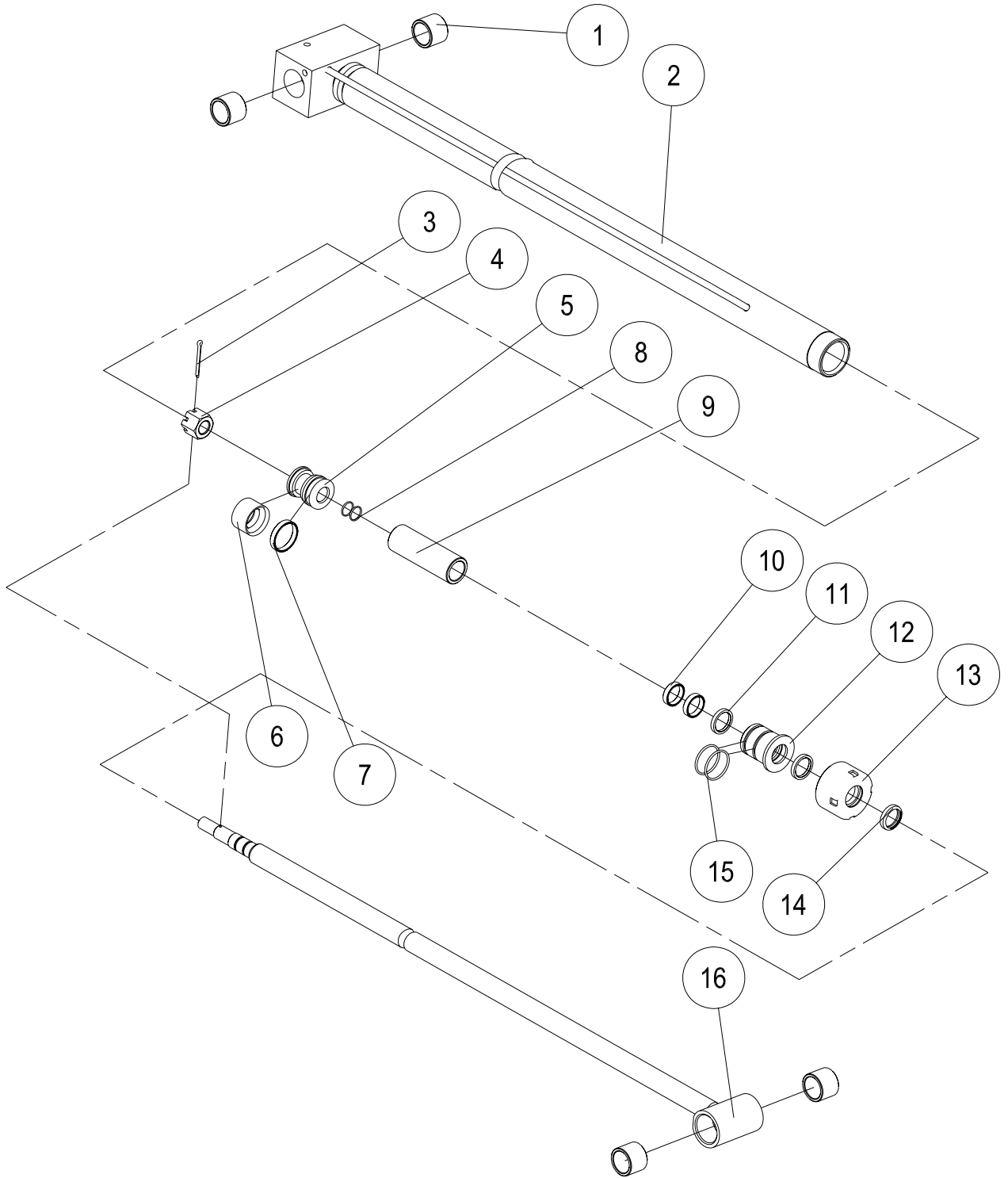
Section5 Cylinder

Figure 5-3 Upper Variance Range Cylinder Assembly

No.	Parts No.	Description	Qty.	Remark
1	$\phi 50 \times \phi 60-40$	Composition Bearing	4	
2	GTBZ16A-53300-100B	Cylinder Body	1	
3	GB79-85	Set Screw M8×10	1	
4	GTBZ16A-53300-1	Nut M52	1	
5	GB1235-76	O Rubber Seal 55x3.5	2	
6	GTBZ16A-53300-2	Piston	1	
7	D100×75×22.4	Seal	1	
8	D100×9.4×2.5	Support Ring For Hole	2	
9	GTBZ16A-53300-3	Spacer Sleeve	1	
10	d75×9.4×2.5	Support Ring For Axle	2	
11	d75×90.1×6.3	HBTS	1	
12	GTBZ16A-53300-4	Guide Sleeve	1	
13	d75×85×6	Shaft Seal	1	
14	d75×85×6/8	Dust Ring	1	
15	GB70-85	Hexagon Socket Screw M12×40	8	
16	GTBZ16A-53200-5	Washer	1	
17	GB1235-76	O Rubber Seal 105x5.7	2	
18	GTBZ16A-53300-200A	Piston Rod	1	

Section5 Cylinder

Figure 5-4 Telescopic Cylinder Assembly



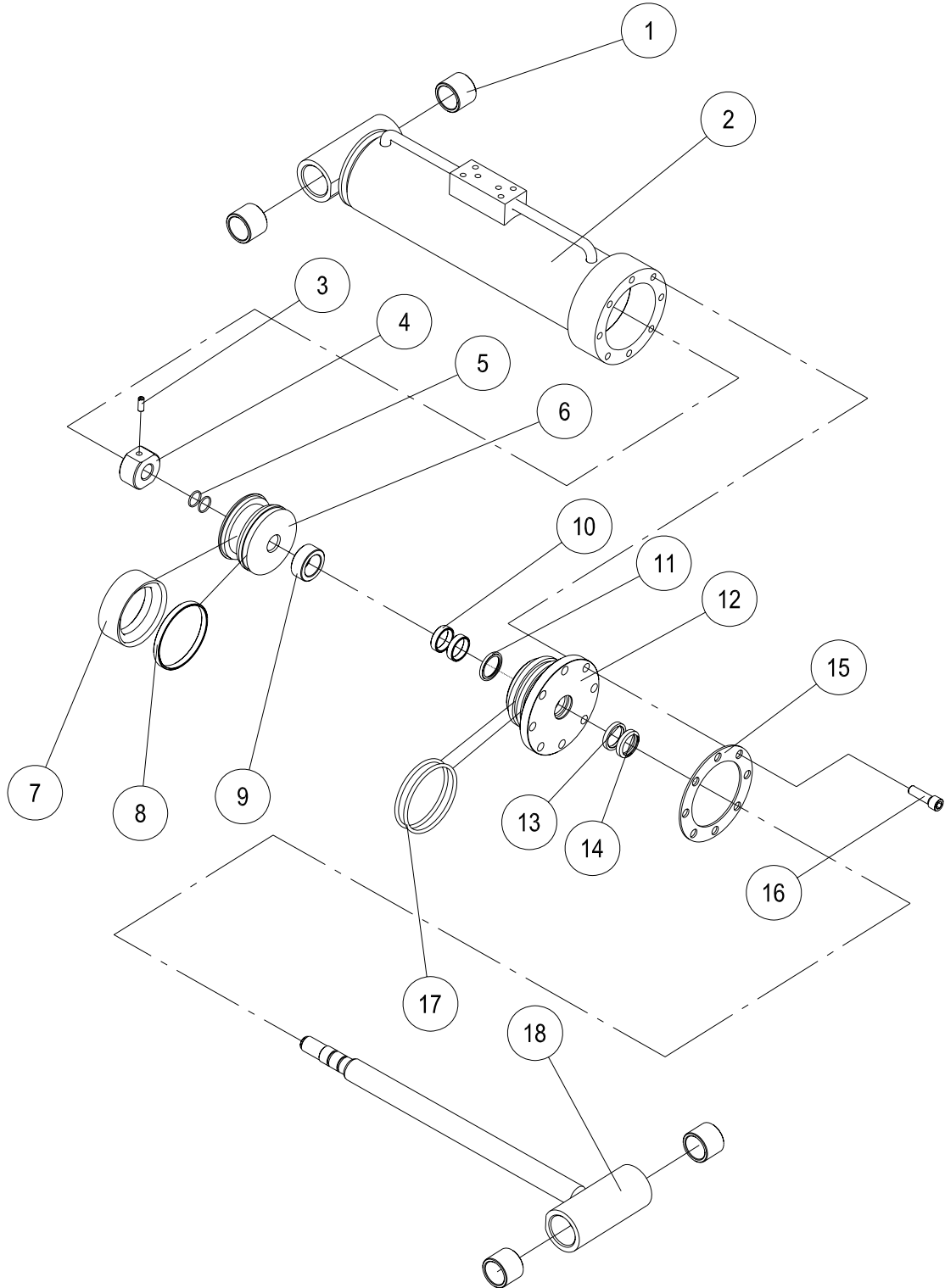
Section5 Cylinder

Figure 5-4 Telescopic Cylinder Assembly

No.	Parts No.	Description	Qty.	Remark
1	Φ35×Φ45-35	Composition Bearing	4	
2	GTBZ16A-53400-100B	Cylinder Body	1	
3	GB91-86	Cotter Pin 5×50	1	
4	GB6178-86	Nut M22×1.5-30	1	
5	GTBZ16A-53400-1	Piston	1	
6	D50×34×18.4	Seal	1	
7	D50×9.4×2.5	Support Ring For Hole	1	
8	GB1235-76	O Rubber Seal 24x2.4	2	
9	GTBZ16A-53400-2	Spacer Sleeve	1	
10	d32×9.4×2.5	Support Ring For Axle	2	
11	d32×40×6	Shaft Seal	2	
12	GTBZ16A-53400-3	Guide Sleeve	1	
13	GTBZ16A-53400-4	Blind NutM64×2	1	
14	d32×40×5/6.5	Dust Ring	1	
15	GB1235-76	O Rubber Seal 50x3.5	2	
16	GTBZ16A-53400-200A	Piston Rod	1	

Section5 Cylinder

Figure 5-5 Upper leveling cylinder Assembly



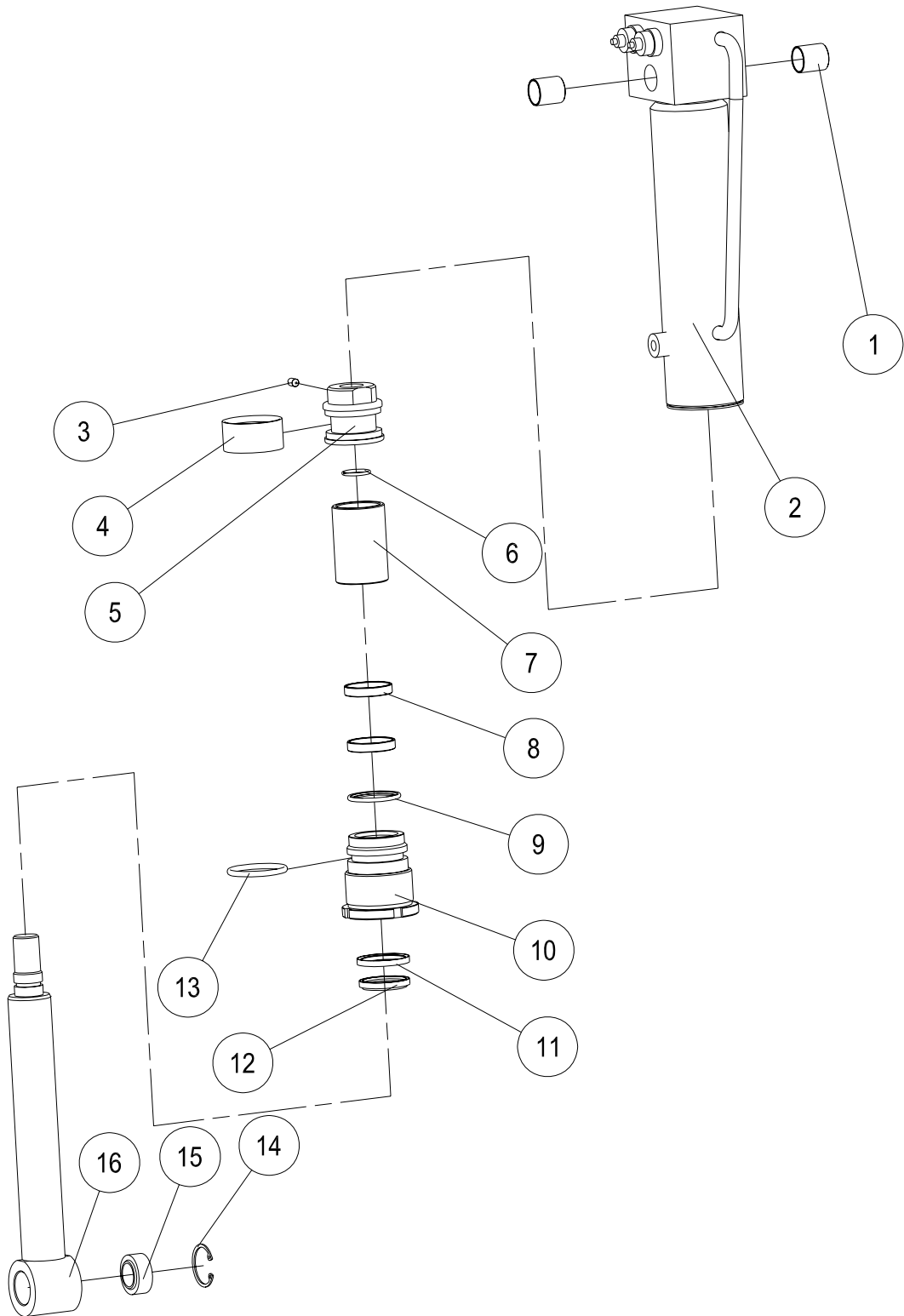
Section5 Cylinder

Figure 5-5 Upper leveling cylinder Assembly

No.	Parts No.	Description	Qty.	Remark
1	$\phi 35 \times \phi 45-35$	Composition Bearing	4	
2	GTBZ16A-53600-100T	Cylinder Body	1	
3	GB79-85	Set Screw M8×10	1	
4	GTBZ16A-53600-1S	Nut M22×1.5	1	
5	GB1235-76	O Rubber Seal 24x2.4	2	
6	GTBZ16A-53600-2S	Piston	1	
7	D100×75×22.4	Seal	1	
8	D100×9.4×2.5	Support Ring For Hole	1	
9	GTBZ16-53600-3S	Spacer Sleeve	1	
10	d32×9.4×2.5	Support Ring For Shaft	2	
11	d32×42.7×4.2	HBTS	1	
12	GTBZ16A-53600-4S	Guide Sleeve	1	
13	d32×40×6	Shaft Seal	1	
14	d32×40×5/6.5	Dust Ring	1	
15	GTBZ16A-53200-5	Washer	1	
16	GB70-85	Hexagon Socket Screw M12×40	8	
17	GB1235-76	O Rubber Seal 105x5.7	2	
18	GTBZ16A-53600-200T	Piston Rod	1	

Section5 Cylinder

Figure 5-6 Axle Lockout Cylinder Assembly



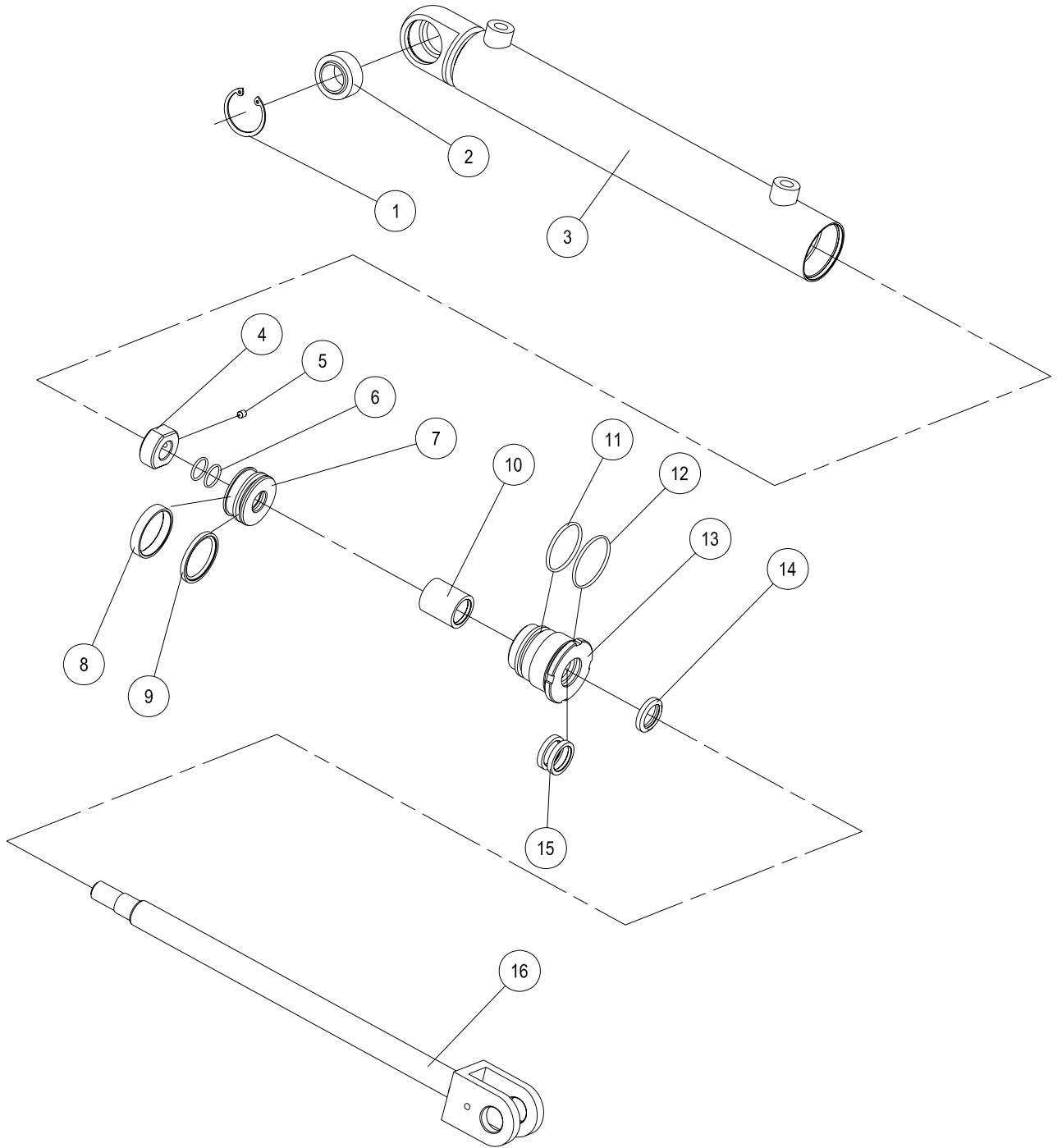
Section5 Cylinder

Figure 5-6 Axle Lockout Cylinder Assembly

No.	Parts No.	Description	Qty.	Remark
1	SF-1	Steel Backing Bearing	2	
2	GTBZ16A-53700-100B	Cylinder Body	1	
3	GB79-85	Set Screw M8×10	1	
4	D63×47×18.4	Seal	1	
5	GTBZ16A-53700-1	Piston	1	
6	GB1235-76	O Rubber Seal 30x3.1	1	
7	GTBZ16A-53700-2A	Spacer Sleeve	1	
8	d45×9.4×2.5	Support Ring For Axle	2	
9	d45×55.7×4.2	HBTS	1	
10	GTBZ16A-53700-3	Cylinder Head	1	
11	d45×55×6	Shaft Seal	1	
12	d45×53×5/6.5	Dust Ring	1	
13	GB1235-76	O Rubber Seal 63x5.7	1	
14	GB893.1-86	Circlips for hole D42	1	
15	GB304.5-81	Knuckle Bearing	1	GE25ES
16	GTBZ16A-53700-200B	Piston Rod	1	

Section5 Cylinder

Figure 5-7 Steering Cylinder Assembly



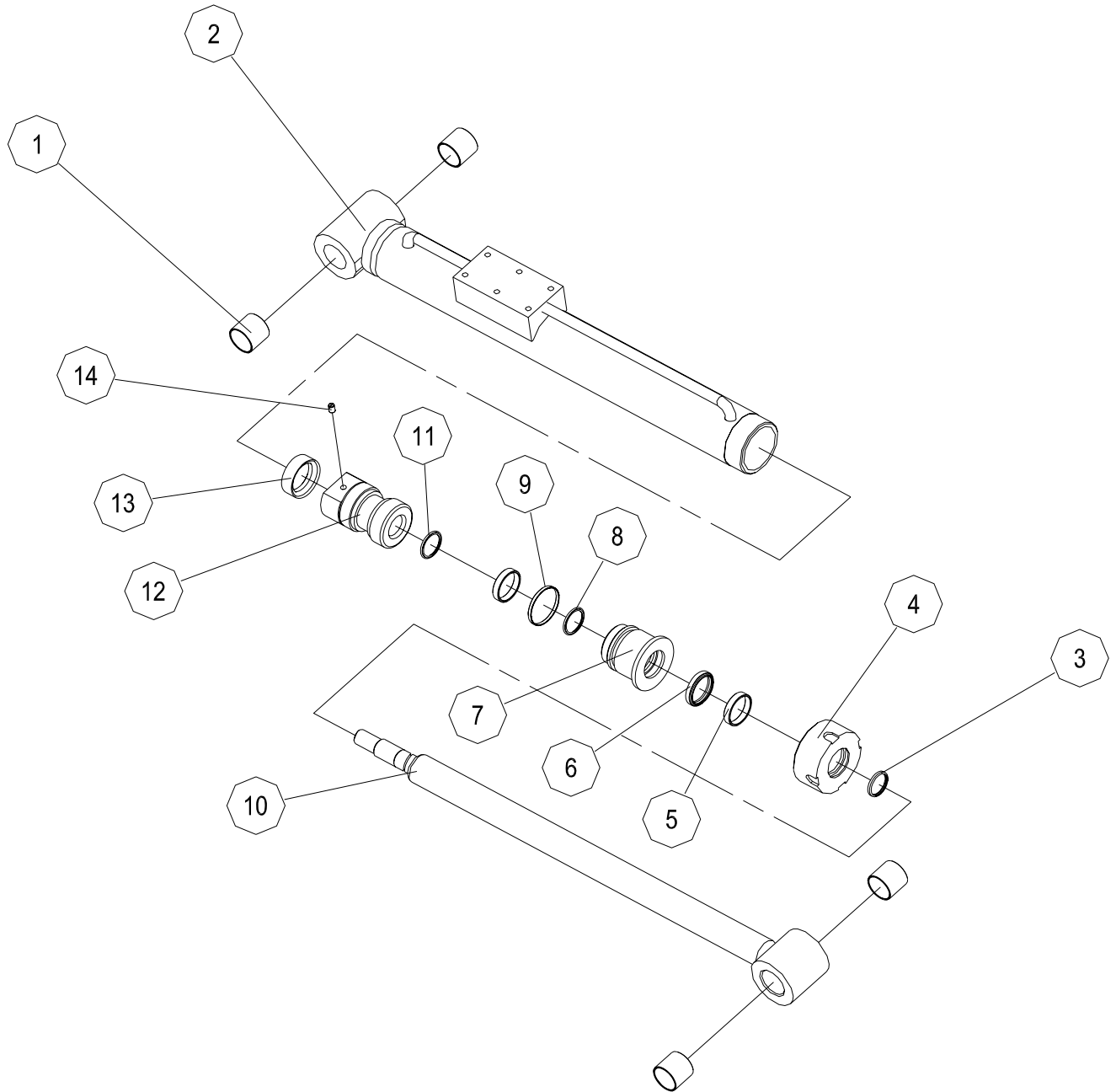
Section5 Cylinder

Figure 5-7 Steering Cylinder Assembly

No.	Parts No.	Description	Qty.	Remark
1	GB893.1-86	Circlips For Hole D42	1	
2	GB304.5-81	Knuckle Bearing GE25ES	1	
3	GTBZ16A-53020-100C	Cylinder Body	1	
4	GTBZ16A-53020-1	Nut M18	1	
5	GB79-85	Set Screw M6×8	1	
6	P20	O Rubber Seal 19.8×2.4	2	
7	GTBZ16A-53020-2	Piston	1	
8	D50×9.4×2.5	Support Ring For Hole	1	
9	GS55044-0500	MGL	1 组	
10	SF-1	Steel-Backed Bearing	1	25×28-30
11	P46	O Rubber Seal 45.7×3.5	1	
12	G50	O Rubber Seal 49.4×3.1	1	
13	GTBZ16A-53020-4	Cylinder Head	1	
14	LBH25	Dust Ring	1	25×33×4.5/6
15	ISI25	Shaft Seal	2	25×33×5
16	GTBZ16A-53020-200B	Piston Rod	1	

Section5 Cylinder

Figure 5-8 Forearm Cylinder Assembly



Section5 Cylinder

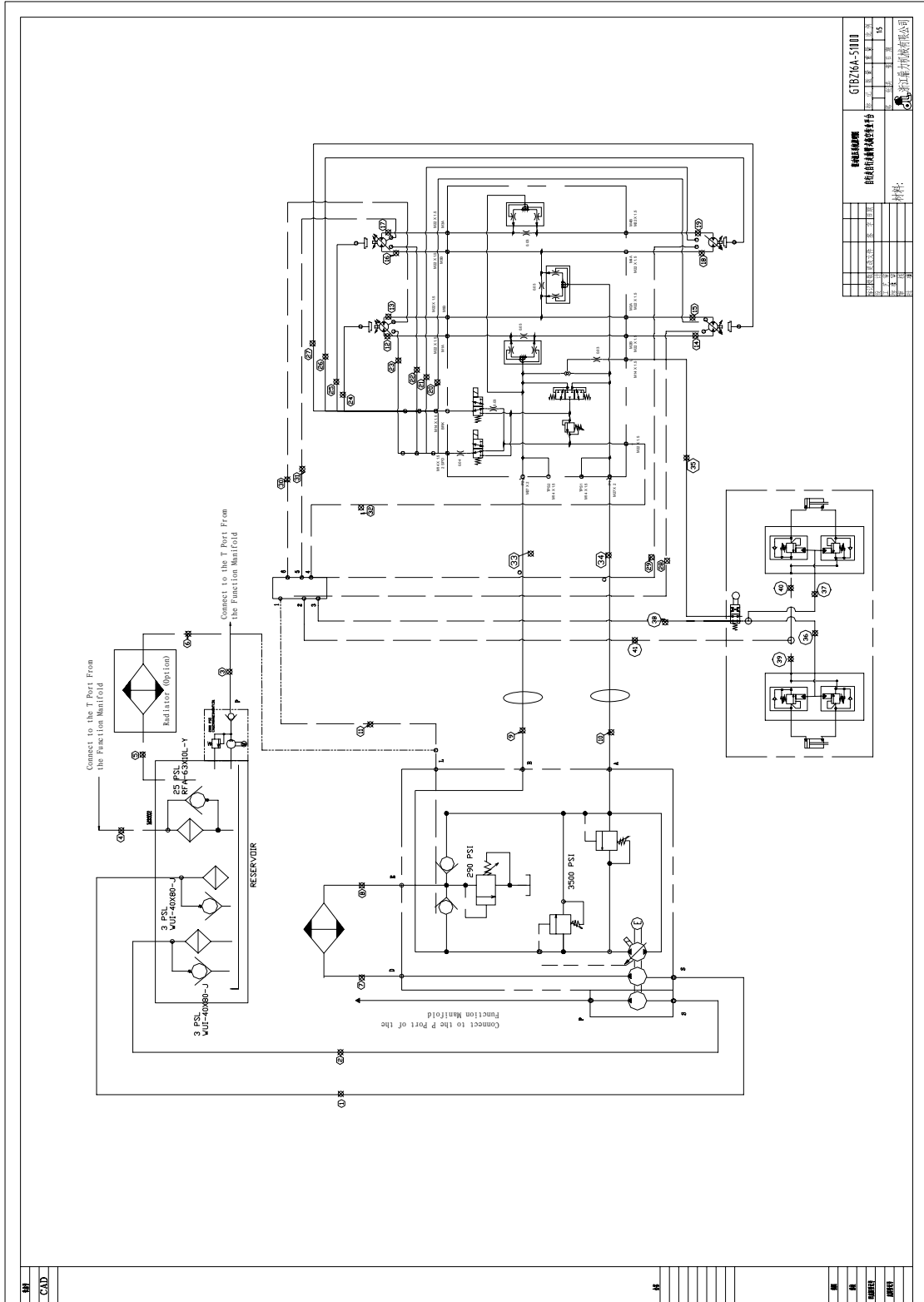
Figure 5-8 Forearm Cylinder Assembly

No.	Parts No.	Description	Qty.	Remark
1	$\phi 35 \times \phi 45-35$	Composition Bearing	4	
2	HCN4161005-200E	Cylinder Body	1	
3	DH 40	Dust Ring	1	
4	HCN4161005-1B	Blind Nut	1	
5	D40x9.4x2.5	Pivot Ring	2	
6	D40x50x6	Shaft Seal	1	
7	HCN4161005-2A	Guide Sleeve	1	
8	D40x50.7-4.2	HBTS	1	
9	GB1235-76	O Rubber Ring 63x5.7	1	
10	HCN4161005-100C	Piston Rod	1	
11	GB1235-76	O Rubber Ring 30x3.1	1	
12	HCN4161005-3B	Piston	1	
13	D63x47x18.4	Seal	1	
14	GB79-85	Set Screw M8x10	1	

Hydraulic

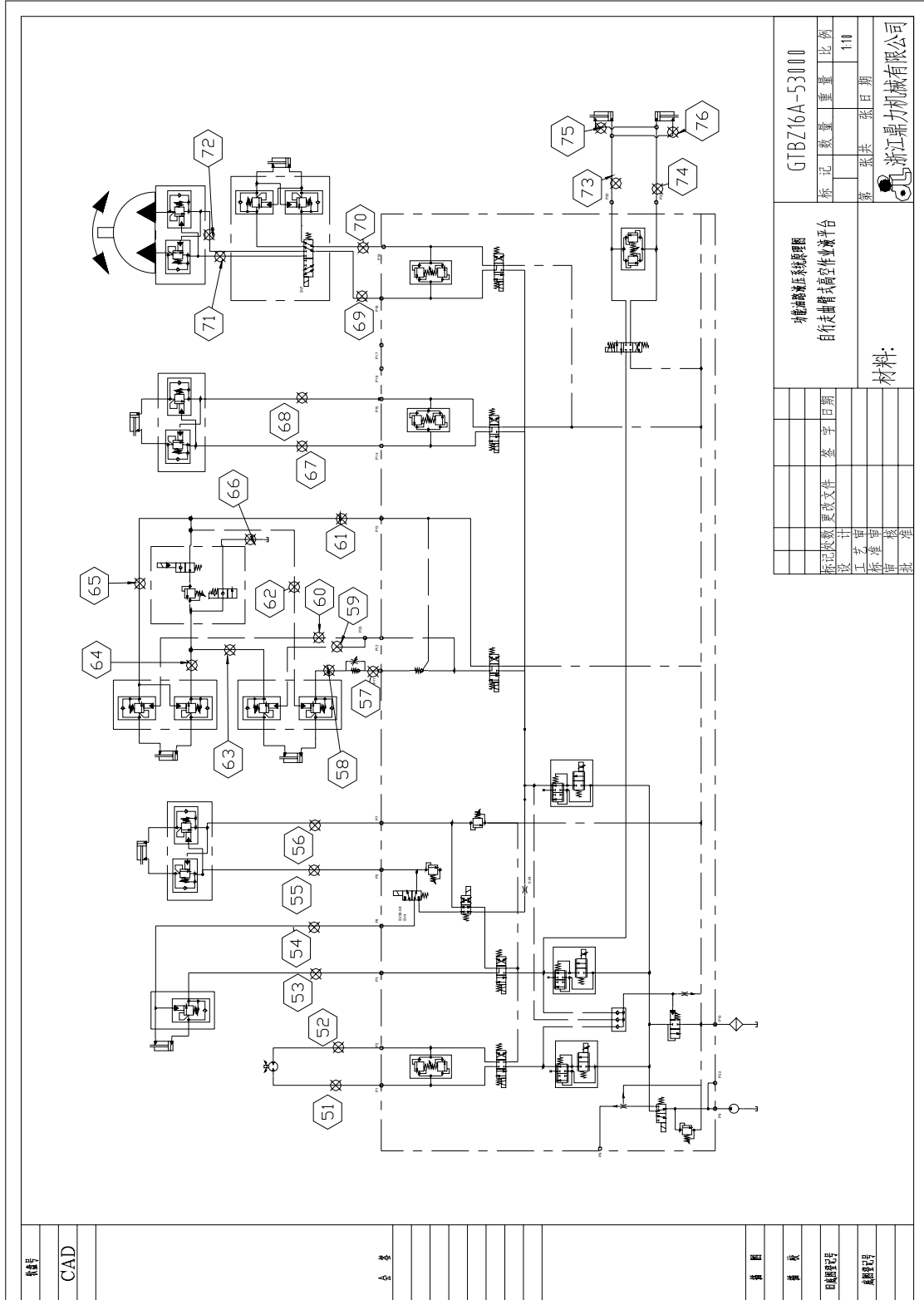
Section 6

Figure 6-1 Drive oil Circuit



Section6 Hydraulic

Figure 6-2 Function oil Circuit



Section6 Hydraulic

Figure 6-1&6-2

Item	Port Name and Location	Port Size	Fitting Model	Hose Size	Hose Assembly Model	Hose Number
Hydraulic Oil Reservoir						
1	Suction Port for Driving Pump	M33*2	GE28LMEDA3C	-16		1
2	Suction Port for Function Pump	M33*2	GE28LMEDA3C	-16		2
3	Sunction Port for Auxilary Pump	G3/8	GE12LR3/8EDA3C	-6		3
4	Return Filter	M27*2	GE22LM27*2EDA3C	-12		4
5	Case Drain Port	M33*2	GE28LMEDA3C	-12		5
Driving Pump						
6	S-Suction	1-5/16 "-12	GE28L1-5/16UNFA3C	-16	1SN25-M21513-16-36/M21593-16-36-1400	1
7	A-Pressure Port	1-5/16 "-12	GE25S1-5/16UNA3C	-12	4SP19 - M21693 - 12 - 36/M21613-12-30-560	9
8	B-Pressure Port	1-5/16 "-12	GE25S1-5/16UNA3C	-12	4SP19 - M21693 - 12 - 36/M21613-12-30-660	10
9	L1-Case Drain	1-1/16 "-12	GE22L1 1/16UNA3C + ET22L	-12	1SN20-M21513-12-30/M21543-12-30-1700	6 或者 5
					1SN20-M21513-12-36/M21543-12-30-2150	
10	D-to Pressure Charge Filter	7/8 "-14	GE12L7/8UNFA3C	-6		7
11	E-From Pressure Charge Filter	7/8 "-14	GE12L7/8UNFA3C	-6		8
12	M3-Charge Pressure Port	9/16" -18		-4		
13	M1-Hight Pressure Measuring	9/16" -18	Oleotec			
14	M2-High Pressure Port	9/16" -18	Oleotec			
15	Inlet-Pressure Charge Filter	M33*2	M33*2-M16×1.5 +GE12LMEDA3C	-6		7
16	Outlet-Pressure Filter	M33*2	M33*2-M16×1.5 +GE12LMEDA3C	-6		8
Swing Fittings I						
17	P1-From driving Pump Port A	M27*2	GE20SMEDA3C	-12		9
18	P2-To Driving Manifold Port P1	M27*2	GE20SMEDA3C	-12	4SP19 - M21613 - 12 - 30/M21613-12-30-1000	33
Swing Fitting II						
19	P1-From driving Pump Port B	M27*2	GE20SMEDA3C	-12		10
20	P2-To Driving Manifold Port P2	M27*2	GE20SMEDA3C	-12	4SP19 - M21613 - 12 - 30/M21613-12-30-1000	34

Section6 Hydraulic

Figure 6-1&6-2

Driving Manifold						
Item	Port Name and Location	Port Size	Fitting Model	Hose Size	Hose Assembly Model	Hose Number
21	P1—From Swing Fitting I Port P2	M27*2	GE20SMEDA3C	-12		33
22	P2—From Swing Fitting II Port P2	M27*2	GE20SMEDA3C	-12		34
23	M1A—Left Front Driving Motor Port A	M22*1.5	GE16SMEDA3C +EW16S	-8	2SN12-M21613-08-24/M21643-08-24-1200	12
24	M1B—Left Front Driving Motor PortB	M22*1.5	GE16SMEDA3C +EW16S	-8	2SN12-M21613-08-24/M21643-08-24-1200	13
25	M2A—Right Front Driving Motor Port A	M22*1.5	GE16SMEDA3C	-8	2SN12-M21613-08-24/M21643-08-24-1130	14
26	M2B—Right Front Driving Motor Port B	M22*1.5	GE16SMEDA3C	-8	2SN12-M21613-08-24/M21643-08-24-1130	15
27	M3A—Left Rear Driving Motor Port A	M22*1.5	GE16SMEDA3C	-8	2SN12-M21613-08-24/M21693-08-24-2450	16
28	M3B—Left Rear Driving Motor Port B	M22*1.5	GE16SMEDA3C	-8	2SN12-M21613-08-24/M21693-08-24-2450	17
29	M4A—Right Rear Driving Motor Port A	M22*1.5	GE16SMEDA3C	-8	2SN12-M21613-08-24/M21693-08-24-2450	18
30	M4B—Right Rear Driving Motor Port B	M22*1.5	GE16SMEDA3C	-8	2SN12-M21613-08-24/M21693-08-24-2450	19
31	BRK—Brake Pressure Port	M14*1.5	GE08LM14*1.5EDA3C +EL08+EL08+EL08	-4	1SN06-M21513-04-14/M21593-04-14-1230	24
				-4	1SN06-M21513-04-14/M21593-04-14-2800	25
				-4	1SN06-M21513-04-14/M21593-04-14-1230	26
				-4	1SN06-M21513-04-14/M21593-04-14-2800	27
32	2PSD—Motor Displacement Change Pressure Port	M14*1.5	GE08LM14*1.5EDA3C +EL08+EL08+EL08	-4	1SN06-M21513-04-14/M21593-04-14-1230	20
				-4	1SN06-M21513-04-14/M21593-04-14-2800	21
				-4	1SN06-M21513-04-14/M21593-04-14-2800	22
				-4	1SN06-M21513-04-14/M21593-04-14-1230	23
33	T—Drain Port	M22*1.5	GE22LM22*1.5EDA3C	-12	1SN19-M21513-12-30/M21513-12-30-800	32
	L—Shuttle Valve Port	M14×1.5		-4		35
Left Front Driving Motor1 (Sauer K38)						
34	A—High Working Port	1 1/16-12UN-2A	GE16S1 1/16UNFA3C	-8		12

Section6 Hydraulic

Figure 6-1&6-2

Item	Port Name and Location	Port Size	Fitting Model	Hose Size	Hose Assembly Model	Hose Number
35	B-High Working Port	1 1/16-12UN-2A	GE16S1 1/16UNFA3C	-8		13
36	O-Case Drain Port	3/4"-16UN	GE12L3/4UNFA3C	-6	1SN10 — M21513 06-18/M21543-06-18-1580	28
37	X-Motor Displacement ChangePort	9/16"-18UN	GE08L7/16UNFA3C	-4		20
39	C-Brake Pressure Port	7/16"-20UN	GE08L7/16UNFA3C	-4		24
Right Front Driving Motor (SauerK38)						
40	A-Hight Working Port	1 1/16-12UN-2A	GE16S1 1/16UNFA3C	-8		14
41	B-High Working Port	1 1/16-12UN-2A	GE16S1 1/16UNFA3C	-8		15
42	O-Case Drain Port	3/4"-16UN	GE12L3/4UNFA3C	-6	1SN10 — M21513 06-18/M21543-06-18-1900	29
43	X-Motor Displacement ChangePort	9/16"-18UN	GE08L7/16UNFA3C	-4		21
45	C-Brake Pressure Port	7/16"-20UN	GE08L7/16UNFA3C	-4		25
Left Rear Driving Motor (Sauer K38)						
46	A-Hight Working Port	1 1/16-12UN-2A	GE16S1 1/16UNFA3C	-8		16
47	B-High Working Port	1 1/16-12UN-2A	GE16S1 1/16UNFA3C	-8		17
48	O-Case Drain Port	3/4"-16UN	GE12L3/4UNFA3C	-6	1SN10 — M21513 06-18/M21513-06-18-1700	30
49	X-Motor Displacement ChangePort	9/16"-18UN	GE08L7/16UNFA3C	-4		22
51	C-Brake Pressure Port	7/16"-20UN	GE08L7/16UNFA3C	-4		26
Right Rear Driving Motor (SauerK38)						
52	A-Hight Working Port	1 1/16-12UN-2A	GE16S1 1/16UNFA3C	-8		18
53	B-High Working Port	1 1/16-12UN-2A	GE16S1 1/16UNFA3C	-8		19
54	O-Case Drain Port	3/4"-16UN	GE12L3/4UNFA3C	-6	1SN10 — M21513 06-18/M21513-06-18-1900	31
55	X-Motor Displacement ChangePort	9/16"-18UN	GE08L7/16UNFA3C	-4		23
57	C-Brake Pressure Port	7/16"-20UN	GE08L7/16UNFA3C	-4		27
Driving Circuit Return Manifold						
58	1-to Pump Case Drain Port	M26*1.5	GE22LMEDA3C	-12		
59	2-Driving Manifold Drain Port	M26*1.5	GE22LMEDA3C	-12		32

Section6 Hydraulic

Figure 6-1&6-2

Item	Port Name and Location	Port Size	Fitting Model	Hose Size	Hose Assembly Model	Hose Number
60	3 – Left Front Driving Motor Case Drain	M16*1.5	GE12LMEDA3C	-6		28
61	4 – Right Front Driving Motor Case Drain	M16*1.5	GE12LMEDA3C	-6		29
62	5 – Left Rear Driving Motor Case Drain	M16*1.5	GE12LMEDA3C	-6		30
63	6 – Right Rear Driving Motor Case Drain	M16*1.5	GE12LMEDA3C	-6		31
64	7 Platform Rotator Port V	M16*1.5	GE12LMEDA3C	-6		41
65	8-Platform Rotator Port T	M14*1.5		-4		38
Axle Lockout Cylinder Control Valve						
66	P-Pressure Port	M14*1.5	GE08LM14*1.5EDA3C	4		35
67	A-Working Port	M14*1.5	GE08LM14*1.5EDA3C + EL08L	4		36/37
68	T-Drain Port	M14*1.5	GE08LM14*1.5EDA3C	4		38
Axle Lockout Cylinder Counterweight Valve						
69	V	M14×1.5	GE12M14×1.5EDA3C	6		39
70	Pil	M12×1.5	GE08LA3C	4		36
Axle Lockout Cylinder Counterweight Valve						
71	V		GE12M14×1.5EDA3C	6		40
72	Pil	M12×1.5	GE08LA3C	4		37
Heat Radiator(Optional)						
73	Input	M33*2	GE28LMEDA3C	-16		6
74	Output	M33*2	GE28LMEDA3C	-16		5
Function Pump						
75	S-Suction Port	1-1/16 “	GE28L1-1/16UN3AC	-16	1SN25-M21513-12-36/M21593-16-36-1380	2
76			GE22L1-1/16UNA3C	-12		

Section6 Hydraulic

Figure 6-1&6-2

Item	Port Name and Location	Port Size	Fitting Model	Hose Size	Hose Assembly Model	Hose Number
77	P-Pressure Port	7/8"-14	GE15L7/8UNFA3C	-8	2SN12-M21513-08-22/M21593-08-22-1700	
Main Function Manifold Assembly						
78	P1 Swing A	M16*1.5	GE12LMEDA3C	-6	1SN10 — M21513 — 06-18/M21593-06-18-1850	51
79	P2 Swing B	M16*1.5	GE12LMEDA3C	-6	1SN10 — M21513 — 06-18/M21593-06-18-1850	52
80	P3 Upper Boom Cylinder Non Rod Port	M16*1.5	GE12LMEDA3C	-6		53
81	P4 Upper Boom Cylinder Rod Chamber	M16*1.5	GE12LMEDA3C	-6		54
82	P5 Relevel Cylinder Rod Chamber	M16*1.5	GE12LMEDA3C	-6		55
83	P6 to Hydraulic Generator	M18*1.5	GE15LMEDA3C	-8		
84	P7 Relevel Cylinder non-Rod Chamber Port	M16*1.5	GE12LMEDA3C	-6		56
	P8					
85	P9 Function Pump	M18*1.5	GE15LMEDA3C	-8		3
86	P10 Drain Port	M22*1.5	GE22LM22*1.5EDA3C	-12		
87	P11 the Lower-mid Boom Non-rod Chamber Port	M16*1.5	GE12LMEDA3C	-6		57
88	P12 the Pilot Port for Lower-mid Boom cylinder	M14*1.5	GE08LM14*1.5EDA3C+T	-4	1SN06 — M21513 — 04 — 16/M21593-04-16-1000	59
					1SN06 — M21513 — 04 — 16/M21593-04-16-6500	60
89	P13 Synchronizing Valve Manifold Port P	M16*1.5	GE12LMEDA3C	-6		61
90	P14 the telescopic Cylinder Non-rod Chamber Port	M16*1.5	GE12LMEDA3C	-6		68
91	P15 the Telescopic Cylinder Rod Chamber Port	M16*1.5	GE12LMEDA3C	-6		67
	P16 not used					
	P17 not used					

Section6 Hydraulic

Figure 6-1&6-2

Item	Port Name and Location	Port Size	Fitting Model	Hose Size	Hose Assembly Model	Hose Number
92	P18 Jib Manifold	M14*1.5	GE10LM14*1.5EDA3C	-4		69
93	P19 Jib Manifold	M14*1.5	GE10LM14*1.5EDA3C	-4		70
94	P20 Steering Cylinder I	M14*1.5	GE10LM14*1.5EDA3C	-4		
95	P21 Steering Cylinder II	M14*1.5	GE10LM14*1.5EDA3C	-4		
Lower-mid Boom Regulate Valve						
96	Inlet Port	M14*1.5	GE10LM14*1.5EDA3C	-6		57
97	Outlet Port	M14*1.5	GE10LM14*1.5EDA3C	-6		58
Synchronizing Valve Manifold						
98	Port P	M14*1.5	GE10LM14*1.5EDA3C	-6		61/62/65
99	Port A	M14*1.5	GE10LM14*1.5EDA3C	-6		63/64
100	Drain Port T	M18*1.5		-6		66
Slew Motor						
101	V1	1/2" BSP	GE12LR1/2EDA3C	-6		51
102	V2	1/2" BSP	GE12LR1/2EDA3C	-6		52
Lower Boom Cylinder Counterweight Valve						
103	V1	M16*1.5	GE12LMEDA3C	-6	1SN10 — M21513 06-18/M21593-06-18-1000	58
104	V2	M16*1.5	GE12LMEDA3C	-6	1SN10 — M21513 06-18/M21593-06-18-950	63
105	Pi11	M14*1.5	GE10LM14*1.5EDA3C	-4		59
106	Pi12	M14*1.5	GE10LM14*1.5EDA3C	-4		62
Mid Boom Cylinder Counterweight Valve						
107	V1	M16*1.5	GE12LMEDA3C	-6	1SN10 — M21513 06-18/M21593-06-18-6500	64
108	V2	M16*1.5	GE12LMEDA3C	-6	1SN10 — M21513 06-18/M21593-06-18-6500	65

Section6 Hydraulic

Figure 6-1&6-2

Item	Port Name and Location	Port Size	Fitting Model	Hose Size	Hose Assembly Model	Hose Number
109	Pi11	M14*1.5	GE10LM14*1.5EDA3C	-4	1SN06 — M21513 — 04 — 14/M21593-04-14-6000	60
Upper Boom Cylinder Counterweight Valve						
110	V1	M16*1.5	GE12LMEDA3C	-6	1SN10 — M21513 — 06-18/M21593-06-18-10000	53
111	V2	M16*1.5	GE12LMEDA3C	-6	1SN10 — M21513 — 06-18/M21593-06-18-10000	54
Relevel Cylinder Counterweight Valve						
112	V1	M16*1.5	GE12LMEDA3C	-6	1SN10 — M21513 — 06-18/M21593-06-18-3650	55/1
					1SN10 — M21513 — 06-18/M21593-06-18-10000	55/2
113	V2	M16*1.5	GE12LMEDA3C	-6	1SN10 — M21513 — 06-18/M21593-06-18-3650	56/1
					1SN10 — M21513 — 06-18/M21593-06-18-10000	56/2
Teleopic Cylinder Counterweight Valve						
114	V1	M16*1.5	GE12LMEDA3C	-6	1SN10 — M21513 — 06-18/M21593-06-18-9400	67
115	V2	M16*1.5	GE12LMEDA3C	-6	1SN10 — M21513 — 06-18/M21593-06-18-9400	68
Jib and Platform Rotator Valve Manifold Assembly						
116	P	M16*1.5	GE10LM16×1.5EDA3C	-4	1SN06-M21513-04-16/M21593-04-16-488 0	69/1
					1SN06-M21513-04-16/M21593-04-16-100 00	69/2
117	T	M16*1.5	GE10LM16×1.5EDA3C	-4	1SN06-M21513-04-16/M21593-04-16-488 0	70/1
					1SN06-M21513-04-16/M21593-04-16-100 00	70/2
118	A1					
119	B1					
120	A2	M14*1.5	GE10LM14*1.5EDA3C	-4		71
121	B2	M14*1.5	GE10LM14*1.5EDA3C	-4		72
Platform Rotator Counterweight Valve						
122	V1	7/16-20	GE08L7/16UNFA3C	-4	1SN06 — M21513 — 04 — 14/M21593-04-14-1400	71
123	V2	7/16-20	GE08L7/16UNFA3C	-4	1SN06 — M21513 — 04 — 14/M21593-04-14-1450	72

Section6 Hydraulic

Figure 6-1&6-2

Item	Port Name and Location	Port Size	Fitting Model	Hose Size	Hose Assembly Model	Hose Number
124	Steering Cylinder A Non-rod chamber Port	M14×1.5	GE10LMEDA3C +ET10LA3C	-4	1SN06 — M21513 — 04 — 16/M21593-04-16-2500	73
					1SN06 — M21513 — 04 — 16/M21513-04-16-560	
125	Steering Cylinder A Rod chamber Port	M14×1.5	WH10LMA3C	-4	1SN06 — M21513 — 04 — 16/M21513-04-16-560	75
126	Steering Cylinder B Non-rod chamber Port	M14×1.5	GE10LMEDA3C +ET10LA3C	-4	1SN06 — M21513 — 04 — 16/M21593-04-16-2500	74
					1SN06 — M21513 — 04 — 16/M21513-04-16-560	
127	Steering Cylinder B Rod chamber Port	M14×1.5	WH10LMA3C	-4	1SN06 — M21513 — 04 — 16/M21513-04-16-560	76

Electrical

Section 7

Figure 7-1

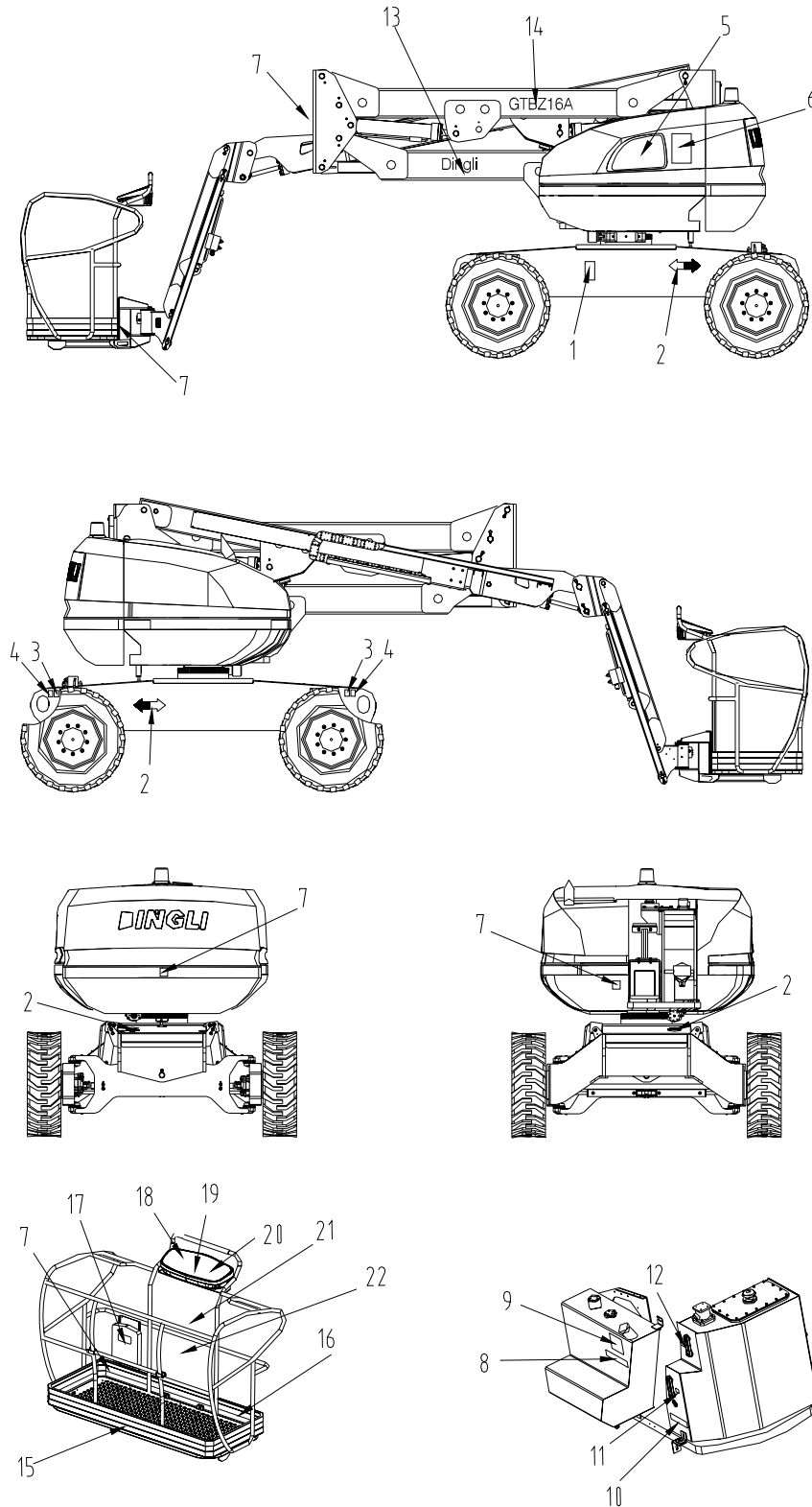
Section7 Electrical

Figure 7-1

Decals

Section 8

Figure 8-1 Decal Location



Section8 Decals

Figure 8-1

No.	Parts No.	Description	Qty.	Remark
1	92-31011	The Machine Plate(English)	1	
		The Machine Plate(Chinese)		
2	93-310	Decal-Double Arrow	4	
3	93-31011	Decal-Lifting	4	
4	93-31013	Decal-TieDown	4	
5	91-32011	The Ground Console Panel	1	
6	94-32011	Decal-Danger and Warning(English), Ground Control Station	1	
	94-32012	Decal-Danger and Warning(Chinese), Ground Control Station		
7	94-32013	Decal-Crushing Warning	5	
8	93-32013	Decal-Diesel (English)	1	
	93-32014	Decal-Diesel (Chinese)		
9	94-32015	Decal-Filling Diesel Warning (English)	1	
	94-32016	Decal-Filling Diesel Warning (Chinese)		
10	93-32015	Decal-Hydraulic Oil(English)	1	
	93-32016	Decal-Hydraulic Oil (Chinese)		
11	93-32019	Decal-Lowest Hydraulic Oil Level	1	
12	93-32017	Decal-Highest Hydraulic Oil Level	1	
13	92-33011	Paint-Dingli	1	
14	92-33013	Paint-GTBZ16A	1	
15	92-34011	Paint-Capacity 230kg(English)	1	
	92-34012	Paint-Capacity 230 kg(Chinese)	1	
16	94-34015	Decal-Warning for Footswitch (English)	1	
	94-34016	Decal-Warning for Footswitch (Chinese)		
17	93-34011	Decal-Operation Manual Storage (English)	1	
	93-34012	Decal-Operation Manual Storage (Chinese)		
18	93-34011	Decal-Platform Console Panel I	1	
19	93-34013	Decal-Platform Console Panel II	1	
20	93-34015	Decal-Platform Console Panel III	1	

Section8 Decals

Figure 8-1

No.	Parts No.	Description	Qty.	Remark
21	94-34011	Decal-Danger –Electrization Hazards (English)	1	
	94-34012	Decal-Danger-Electrization Hazards (Chinese)	1	
22	94-34013	Decal-Warning-Complex Warning(English)	1	
	94-34014	Decal-Warning-Complex Warning (Chinese)		